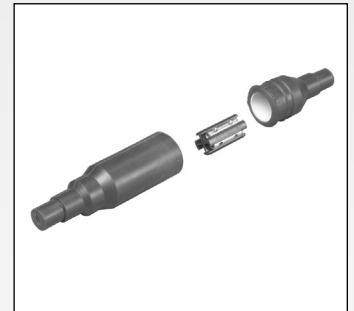


Self-Sealing UF Splice Kit

Part Number UFC3/4: Accommodates Cable Sizes 14/3 without Ground (minimum), 8/3 with Ground (Maximum)



CAUTION



**Risk of
Electric
Shock**

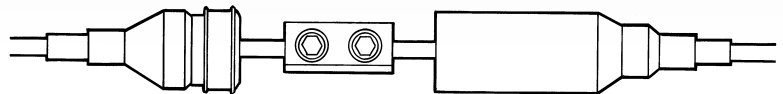
- TO BE INSTALLED BY A QUALIFIED ELECTRICIAN
- **WARNING:** ELECTRICAL SHOCK HAZARD
- MAKE SURE THAT THE POWER IS "OFF" AT THE CIRCUIT BREAKER BEFORE PROCEEDING
- 3-WIRE: 14/2, 12/2, 10/2 WITH GROUND
- 4-WIRE: 14/3, 12/3, 10/3 WITH GROUND
- WIRE CONNECTOR SYSTEM FOR USE WITH UNDERGROUND CONDUCTOR
- 600 VOLTS MAXIMUM

NOTE: The Self-Sealing UF Splice Kit meets the requirements of the 2017 National Electrical Code: Articles 110.14(B), 300.5(E) and 300.50(D).

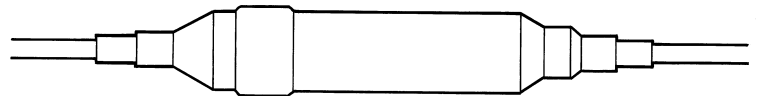
1. Cut the UF Cable ends properly. All conductors should be flush with outer jacket insulation.
2. Clean the cable jacket thoroughly. It must be free of dirt and contaminants.
3. Important! For 4-Wire Kits, cut off the UFA portion of the adapter on the cover and cap.

Note: 3-wire kits are pre-cut at the factory.

4. Lubricate both UF cable ends. Slide large section of insulator assembly onto one UF cable sealing end first. Move back onto the UF cable far enough to allow ample work space. Repeat this process with the smaller section of insulator assembly installed on the other UF cable end.
5. Strip approximately 2-inches off outer jacket insulation on both UF cable ends.
6. Strip all conductor wire insulation back approximately 9/16-inch. Insert the bare wires into connector. Maintain continuity. Torque screws to 8-inch pounds with a straight blade screwdriver.
7. Lubricate cap. Push the cover and cap insulating sections together, the cap will slide into cover. Center the closed insulation assembly over the splice for a waterproof, re-enterable seal.



Before



After

Part Number: E00-703-002 (05/17-BB)

www.engproducts.com

5401 SMETANA DRIVE | MINNETONKA, MN 55343

P 800.336.1976 | F 800.336.2801



**ENGINEERED
PRODUCTS CO.**