

TIGER™ 400 HID Temporary Luminaire

Part Number 15702: TIGER 400 HID Temporary Luminaire: 400-Watt Type-0 Metal Halide Lamp, 6-Foot Cord, Safety Cage and Lamp Guard.

Part Number 15752: Replacement Type-0 400-Watt Metal Halide Lamp: Pulse-Start

CAUTION



**Risk of
Electric
Shock**

- TO BE INSTALLED BY A QUALIFIED ELECTRICIAN
- **WARNING:** ELECTRICAL SHOCK HAZARD
- MAKE SURE THAT THE POWER IS "OFF" AT THE CIRCUIT BREAKER BEFORE PROCEEDING
- ULTRAVIOLET AND INFRARED RADIATION IS EMITTED FROM METAL HALIDE LAMPS
- POSSIBLE SKIN OR EYE IRRITATION CAN RESULT FROM EXPOSURES EXCEEDING 15 MINUTES
- DO NOT STARE AT EXPOSED LAMP IN OPERATION
- DO NOT REMOVE THE LAMP FROM LUMINAIRE UNTIL IT HAS COOLED
- NEVER HANDLE THE LAMP WHEN IT IS OPERATING
- RECOMMENDED FOR USE IN "HIGH BAY" APPLICATIONS ONLY! ENGINEERED PRODUCTS COMPANY DEFINES HIGH BAY AS GREATER THAN 30-FEET OFF THE FLOOR



NOTE: Complies with the 2007 Energy Independence and Security Act (EISA) and meets the requirements of the 2017 National Electrical Code (NEC): Articles 410.62 (C) (1 and 2), 410.104 (A), 410.122, 410.130 (F) (5) and 590.4 (F).

Engineered Products Companies TIGER 400-Watt Metal Halide Light Fixture (MHLF) complies with the Department of Energy (DOE) February 2014 updated rule for stringent energy conservation standards for Metal Halide Fixtures (MHLFs) and its February 10, 2017 implementation date.

Safety Instructions

1. Use the hook to support the luminaire, not the electrical cord!
2. The luminaire is pre-wired at the factory to operate at 120 volts.
3. The luminaire is equipped with a multi-tap ballast for 120V, 208V, 240V and 277V applications. The leads 208V, 240V and 277V are capped off.
4. Never replace the Type-0 lamp with the power supply "ON".
5. All work must be performed by a qualified Electrician.
6. This luminaire must be installed in accordance with the requirements of the 2017 National Electrical Code and must comply with all state and local electrical codes.
7. Use only Type-0 specified replacement lamps.

Connecting the Luminaire to a Power Supply other than 120 Volts

1. Remove the two (2) screws that hold the Access Cover to the luminaire. Disconnect and remove the factory supplied power cord (see Figure 1). Cap the unused supply cord hole.
2. Route the incoming power cord (not supplied) through the knockout hole in the Access Cover using a strain relief bushing or conduit fitting (not supplied).
3. Remove the caps from the required leads and make sure to label the wires, then match the voltage of the luminaire supply wires as required.
4. Make all wiring connections.
5. Cap off all unused luminaire wires.
6. Re-attach the Access Cover to the enclosure.
7. Hang the luminaire as directed.

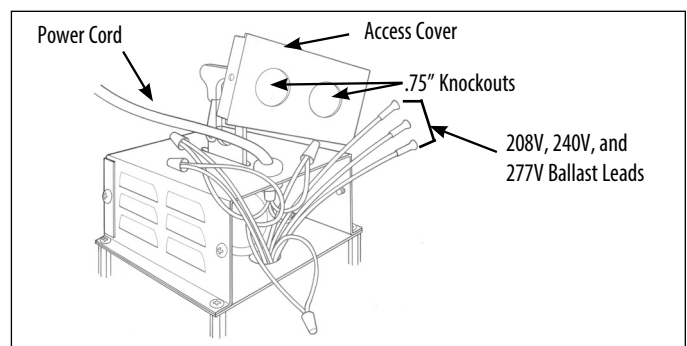


Figure 1. Reconfiguring the Power Supply.

WARNING

Double check all wiring connections. Ensure that the proper luminaire voltage leads have been selected to match the supply voltage. Improper wiring may damage the ballast and void the warranty.

Hook Mounting and Cord Connection

1. This luminaire is supplied with a power cord plug prewired at the factory to operate at 120 Volts.
2. Place self-locking hook over securely mounted eye hanger.



Do not plug in the luminaire!

3. Proceed to Lamp Safety Guard assembly instructions.

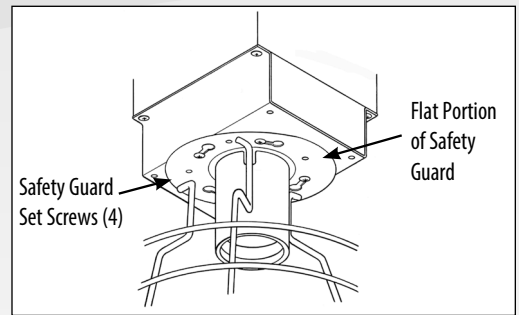


Figure 2. Installing the Lamp Safety Guard.

Safety Guard Installation

1. Place the luminaire on its side with the Access Cover on top. See Figure 2. Locate the four (4) set screws around the upper base of the lamp socket. Hold the bottom of the Safety Guard (the larger end) and align the top flat portion of the Safety Guard over the four set screws and rotate clockwise. Tighten each set screw until the Safety Guard is firmly attached to the luminaire.

Lamp Installation

1. Install the supplied lamp and make sure that the extended center contact on the bottom of the lamp is fully seated into the luminaire's lamp socket to complete the circuit. Note: if the lamp is not fully seated into the luminaire's lamp socket, the lamp will not light.

Lamp Safety Guard Installation

1. After you have installed the lamp into the luminaire you can now install the Lamp Safety Guard to protect the lamp from damage.
2. Place the Lamp Safety Guard on a flat surface. Locate the three (3) contact points on the Lamp Safety Guard, two closed-loop round tangs and one (1) round hook. They should be facing upward. Connect the round hook onto the bottom section of the Lamp Safety Guard as shown in Figure 3. The Enshroud should swing downward but still remain attached to the Lamp Safety Guard by the round hook.
3. Swing the Lamp Safety Guard upward so that one of the round tangs fits onto the bottom section of the Lamp Safety Guard. Then apply upward pressure on the second tang until it also fits onto the bottom section on the Lamp Safety Guard. Rotate the Enshroud either left or right to make sure it is firmly attached.

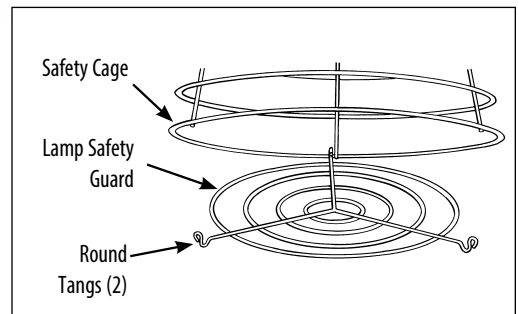


Figure 3. Installing, opening, and closing the Lamp Safety Guard.

Part Number: E02-053-001 (07/17 - AGIII)