

TIGER™ Temporary LED Luminaire

Part Numbers 15734 (150-Watt), 15732 (100-Watt), and 15733 (60-Watt): These luminaires meet the requirements of the 2017 National Electrical Code: Articles 410.62(C)(1) and (2), 410.104.(A), 410.130.(F)(5), and 590.4F. They should only be used with electrical wiring that is in good working order and meets all requirements of the National Electrical Code, and local Building Codes and Ordinances.

WARNING: Electrical Shock Hazard

- TO BE INSTALLED BY A QUALIFIED ELECTRICIAN.
- MAKE SURE THAT THE POWER IS "OFF" AT THE CIRCUIT BREAKER BEFORE PROCEEDING.
- REVIEW THE FOLLOWING INFORMATION CAREFULLY BEFORE USE.
- MAKE SURE YOUR APPLICATION IS IN ACCORDANCE OPERATING SPECIFICATIONS FOR THIS LUMINAIRE.
- THIS TEMPORARY LED LUMINAIRE IS INTENDED FOR USE IN DRY OR DAMP LOCATIONS ONLY. IF THIS LUMINAIRE DOES GET "WET" ENSURE THE POWER IS TURNED "OFF" AT THE CIRCUIT BREAKER BEFORE HANDLING THE LUMINAIRE.
- DO NOT USE THIS LUMINAIRE NEAR EXPLOSIVE MATERIALS, A HIGH HEAT SOURCE, OR IN AN ENVIRONMENT WHERE CORROSIVE GASES ARE PRESENT THAT COULD CAUSE A FIRE.



**100-Watt TIGER
Temporary LED
Luminaire
(P/N 15732)**

Installation

1. Check this luminaire carefully after you have opened the carton. If the luminaire is damaged, keep all packaging materials and return it to your local retailer.
2. Turn "OFF" the power at the Circuit Breaker before installing the first luminaire.
3. This Temporary LED Luminaire features a safety cage designed to protect the LED strips from falls or collisions from other objects on the job site.
4. If you are connecting multiple luminaires together, see the "Connecting Multiple Luminaires" section below.
5. To reduce the risk of electrical shock and fire, do not exceed the maximum wattage including any additional lighting loads. Table 1 shows the maximum number of luminaires that can be connected.

Connecting Multiple Luminaires

1. This luminaire features a Grounded Plug and a 5-15 NEMA Receptacle (5 Amps @ 120 Volts only). The receptacle enables two (2) or more luminaires to be "daisy chained" together. See Figure 1A.
2. The "Anti-Pull" Wire Metal Buckle on the luminaire secures the second luminaire's grounded plug in the receptacle while being used on the job site. See Figure 1B.
3. This luminaire is also designed with a remote control that can turn the luminaires "ON" and "OFF".
4. Close the Receptacle Cover on the last luminaire if it will not be connected to other luminaire(s).
5. Turn on the power and test the luminaire(s) by using the Remote Control. See Figure 1A.
6. If you experience an "overcurrent" condition when daisy chaining your luminaires (exceeding 5 Amps maximum in a parallel connection), you can reset the built-in fuse in the 1st luminaire's driver by disconnecting it from the power source for approximately 15-30 seconds, then re-power the luminaire and the remaining daisy chained luminaires.
7. To reduce the risk of electrical shock and fire, do not exceed the maximum wattage rating when daisy chaining multiple luminaires together. The maximum number of luminaires that can be daisy chained together is shown in Table 1.

Part Number	Watts	Number of Luminaires per Circuit	Connection Length Between Luminaires (Feet/Meters)	Operating Temperature
15733	60	10	20 / 6.1	-22°F (-30°C) to 104°F (40°C)
15732	100	6	35 / 10.6	-22°F (-30°C) to 104°F (40°C)
15734	150	4	50 / 15.24	-22°F (-30°C) to 104°F (40°C)

Table 1: Total Number of Temporary LED Luminaires per Circuit When Daisy-Chained in Parallel.

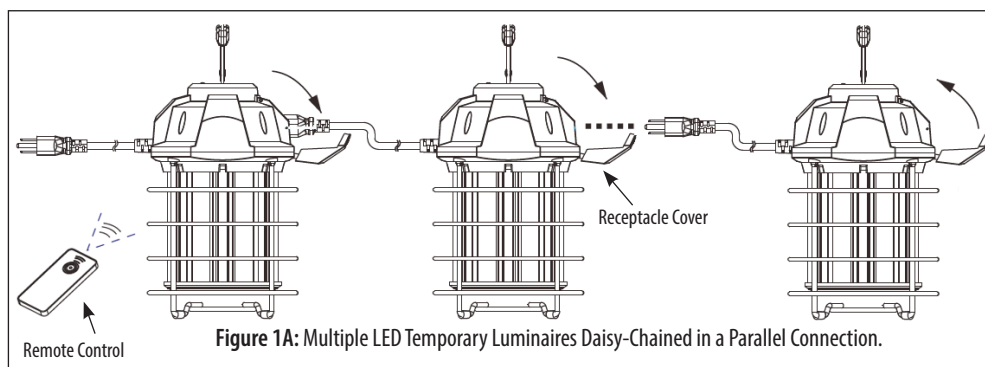


Figure 1A: Multiple LED Temporary Luminaires Daisy-Chained in a Parallel Connection.

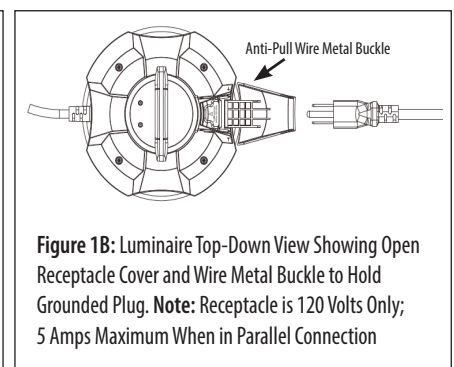


Figure 1B: Luminaire Top-Down View Showing Open Receptacle Cover and Wire Metal Buckle to Hold Grounded Plug. Note: Receptacle is 120 Volts Only; 5 Amps Maximum When in Parallel Connection

(08/18 BB)