

PRO SERIES™ MEDIUM-BASE AND PRO SERIES GU24 UTILITY LIGHT FIXTURES

Shown with optional Safety Cage



PRO SERIES

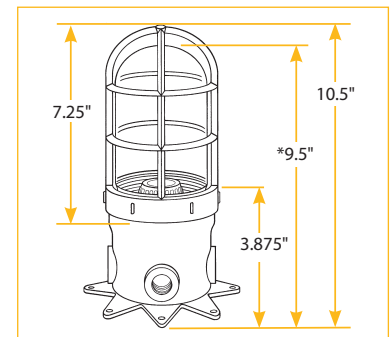
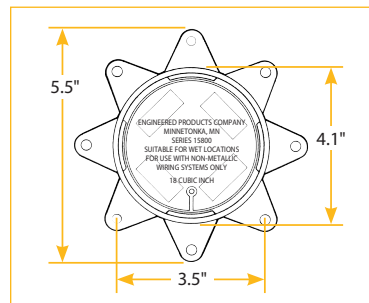
- UL Listed. Suitable for use in wet locations. File Number: E182610.
- Appropriate for use with all non-metallic wiring systems.
- Provides the contractor and facility manager with reliable, durable, maintenance free performance!
- Labor savings! Fast installation saves time and reduces labor cost.
- Versatile light fixture is suitable for numerous applications.
- Rated for use with circuit conductors up to 150°C.
- Can be used where high-pressure wash-down is required.
- UV resistant, high impact, corrosion resistant construction.
- Integrated Octi-Junction Box™ Cover:
 - Meets requirements of the 2014 National Electrical Code: Articles 314.15, 314.16(A)(2), 314.17(C), 410.10(A), 410.104(A), 547.5(C)(1) and (2) and 547.8(A) and (B).
 - Provides extra junction box capacity for adding an additional power circuit.
 - Easy to install; uses eight (8) mounting brackets that are "in-line" with 1/2" and 3/4" trade size knockouts; eliminates a 2" x 4" stub-in by the installer.

Note: The Octi-Junction Box is not sold separately and will not fit our Ceiling Mount Light Fixture P/Ns: 15050, 15051, 15055, and 15056.

- Optional impact resistant quarter-turn safety cage attaches to the Octi-Junction Box without tools.
- The 18 Cubic Inch Octi-Junction Box and the "optional" Safety Cage are made from Polybutylene Terephthalate (PBT) material.

TYPICAL APPLICATIONS:

- Food Processing Facilities
- Commercial Kitchens
- Industrial Facilities
- Livestock Containment Buildings
- Saunas
- Laundries
- Car Washes
- Elevator Shafts
- Storage Buildings
- Refrigerators and Freezers
- Pedestrian and Road Tunnels



***Note:** Measured without the Optional Safety Cage



ProSeries Medium-Base Octi-Junction Box Cover

18 Cubic Inch Octi-Junction Box uses eight (8) mounting brackets that are "in-line" knockouts; eliminates a 2" x 4" stub-in.

Meets the box fill requirements as referenced in the 2014 National Electrical Code: Articles 314.15, 314.16(A)(2), 314.17(C), 410.10(A), 410.104(A), 547.5(C)(1) and (2) and 547.8(A) and (B). The Octi-Junction Box provides additional capacity for an extra power circuit.

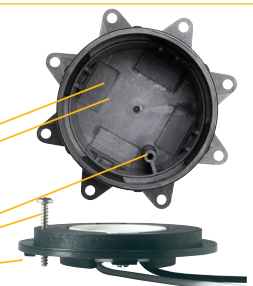
Captive stainless steel set screw and posi-stop detent tab on Octi-Junction Box Cover expedites fixture installation.

Recessed Octi-Junction Box Cover with integral nickel-plated brass screw shell accommodates high profile incandescent or compact fluorescent lamps.

Captive stainless steel set screw secures the Octi-Junction Box Cover to the Octi-Box – expedites fixture installation.

Recessed Octi-Junction Box Cover with integral GU24 socket base accommodates high profile Bi-Pin Compact Fluorescent Lamps.

1/2" and 3/4" trade size knockouts.



ProSeries GU24 Octi-Junction Box Cover



Octi-Junction Box with ProSeries Medium-Base Octi-Junction Box Cover



Octi-Junction Box with ProSeries GU24 Octi-Junction Box Cover

Specifications subject to change without prior notice.

PROSERIES AND PROSERIES GU24 UTILITY LIGHT FIXTURES

Catalog Number	UPC Number	Description	Order Unit	Unit Qty	Unit Pkg	Units/Case	TL Case Qty	Min Order Qty	MM Req	Ship Wt (Lbs)
ProSeries Medium-Base Utility Light Fixtures										
15800	15800	ProSeries Utility Light: Standard Glass Globe; Rated for 150-watt Incandescent Lamp (maximum)	EA	1	BX	12	12	1	No	38
15800B	15850	ProSeries Utility Light (BULK): Standard Glass Globe; Rated for 150-watt Incandescent Lamp (maximum)	EA	1	BN	12	12	12	Yes	38
15801	15801	ProSeries Utility Light: Standard Glass Globe and Safety Cage; Rated for 150-watt Incandescent Lamp (maximum)	EA	1	BX	12	12	1	No	38
15801B	15851	ProSeries Utility Light (BULK): Standard Glass Globe and Safety Cage; Rated for 150-watt Incandescent Lamp (maximum)	EA	1	BN	12	12	12	Yes	38
15805B	15855	ProSeries Utility Light (BULK): Acrylic Prismatic Globe; Rated for 60-watt Incandescent Lamp (maximum)	EA	1	BN	12	12	12	Yes	38
15806*	15806	ProSeries Utility Light: Polycarbonate Clear Globe; Rated for 60-watt Incandescent Lamp (maximum)	EA	1	BX	12	12	1	No	38
15806B	15856	ProSeries Utility Light (BULK): Polycarbonate Clear Globe; Rated for 60-watt Incandescent Lamp (maximum)	EA	1	BN	12	12	12	Yes	38
15807B	15857	ProSeries Utility Light (BULK): Tall Acrylic Prismatic Globe; Rated for 60-watt Incandescent Lamp (maximum)	EA	1	BN	12	12	12	Yes	38
15810B	15860	ProSeries Utility Light (BULK): Tempered Glass Globe; Rated for 150-watt Incandescent Lamp (maximum)	EA	1	BN	12	12	12	Yes	38
15811B	15861	ProSeries Utility Light (BULK): Tempered Glass Globe and Safety Cage; Rated for 150-watt Incandescent Lamp (maximum)	EA	1	BN	12	12	12	Yes	38
ProSeries Medium-Base Utility Light Accessories										
15812	15812	Safety Cage: 1/4 Turn Attachment	EA	1	BX	12	12	1	No	6
15815	15815	Octi-Junction Box Cover: with Porcelain Lamp Holder	EA	1	BX	12	12	1	No	4
15680	15680	Compact Fluorescent Lamp: 23-watt, Self-Ballasted Lamp (5000K); Light output is equal to 90-watt incandescent lamp	EA	1	BX	50	50	1	No	8
ProSeries GU24 Utility Light Fixtures										
15865	15865	ProSeries GU24 Utility Light: Standard Glass Globe; Rated for 23-watt GU24 Lamp (maximum)	EA	1	BX	12	12	1	No	38
15867	15867	ProSeries GU24 Utility Light: Standard Glass Globe and Safety Cage; Rated for 23-watt GU24 Lamp (maximum)	EA	1	BX	12	12	1	No	39
15880	15880	ProSeries GU24 Utility Light: Tempered Glass Globe; Rated for 23-watt GU24 Lamp (maximum)	EA	1	BX	12	12	1	No	38
ProSeries GU24 Utility Light Accessories										
15812	15812	Safety Cage: 1/4 Turn Attachment	EA	1	BX	12	12	1	No	6
15890	15890	Octi-Junction Box Cover: with GU24 Lamp Socket	EA	1	BX	12	12	1	No	4
15670	15670	Compact Fluorescent Lamp: 23-watt, GU24 Bi-Pin, Self-Ballasted Lamp (5000K); Light output is equal to 90-watt incandescent lamp	EA	1	BX	50	50	1	No	8

***Note:** Optional Safety Cage (Part Number 15812) will not fit ProSeries Part Number 15806.

UNITS OF MEASURE KEY

Order Unit: The Unit to be ordered; **Order Qty:** Number of pieces in each Unit; **Unit Pkg:** Packaging types - BG (Bag), BX (Box), BN (Bulk); **Units/Case:** Unit packages contained in the Case; **TL Case Qty:** The total number of items in each Master Case; **Min Order Qty:** The smallest Unit that can be ordered; **MM Req:** Must order multiples of the Unit in the stated quantities; **Ship Wt (Lbs):** Total weight of the Units per Carton

Specifications subject to change without prior notice.

E02-150-003 D1 (7/14-SP)
©2014 Engineered Products Company. All Rights Reserved.
ProSeries and Octi-Junction Box Cover are trademarks of Engineered Products Company.

www.engproducts.com

5401 SMETANA DRIVE | MINNETONKA, MN 55343

P 800.336.1976 | F 800.336.2801



**ENGINEERED
PRODUCTS CO.**