

TIGRESS™ LED Temporary Light Fixture

Product Data Sheet

Engineered Products Company's TIGRESS LED Temporary Light Fixture is a low cost, energy efficient lighting solution for use in low to medium bay lighting applications and a recommended alternative to outdated metal halide luminaires.

Benefits

- Suitable for use in Dry or Damp Environments.
- Voltage Range: 120 VAC @ 60 Hz.
- Cost effective, virtually no maintenance.
- Compact size and balanced construction for easy handling.
- Virtually no assembly required!
- 1-Year Warranty (fixture) and 3-Year Warranty (LED Lamp).
For warranty information visit www.engproducts.com.

Features

- Available in two (2) configurations — a 10,000 or 15,000 lumen LED Corn Cob Lamp and Power Cord.
- Pre-installed "Snap-Lock" Hang Hook expedites installation to virtually any structure (e.g., rebar, steel, plastic pipe, or copper tubing).
- Rugged and durable steel housing with high-visibility powder coated finish.
- Includes 11-Gauge Wire Safety Cage.

Typical Applications

- New Building Construction or Renovation
- Temporary Parking Areas
- Outdoor Areas
- Backup Power Alternative for:
 - » Grocery Stores
 - » Retail Stores
 - » Strip Malls
 - » Schools and University Gymnasiums



TIGRESS LED with 10,000 lumen LED Lamp
(P/N: 15720-10K5)



TIGRESS LED with 15,000 lumen LED Lamp
(P/N: 15720-15K5)

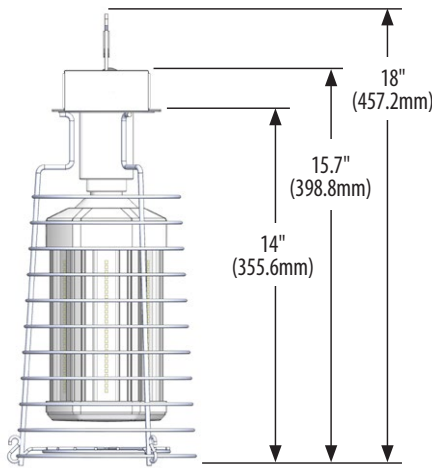
TIGRESS LED Specifications

	P/N: 15720-10K5	P/N: 15720-15K5
Lumen Output	10,000	15,000
Color Temperature	5000K	5000K
Wattage	100-Watts	125-Watts
Voltage	120 VAC @ 60 Hz	
Applications	Dry or Damp Locations	
Operating Temperature	-4°F (-20°C) to 104°F (40°C)	
Warranty	LED Temporary Light Fixture: 1-Year; LED Lamp: 3-Years	
Power Cord	5-Foot; 14/3 SJTW	

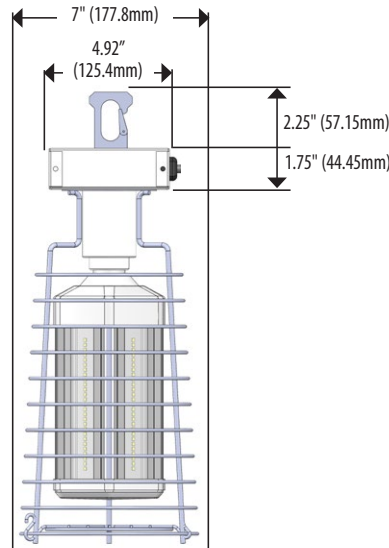
TIGRESS LED TEMPORARY LIGHT FIXTURE: DIMENSIONAL REFERENCES

Note: Shown with 10,000 lumen LED Lamp

Front View



Side View



TIGRESS LED TEMPORARY LIGHT FIXTURE: PART NUMBERS

Catalog Number	UPC Number	Description	Order Unit	Unit Qty	Unit Pkg	Units/ Case	TL Case Qty	Min Order Qty	MM Req	Ship Wt (Lbs)
15720-10K5	15784	TIGRESS LED Temporary Light Fixture: Safety Cage and Snap-Lock Hang Hook, 10,000 Lumen LED Lamp	EA	1	BX	1	1	1	No	7
15720B-10K5	15786	TIGRESS LED Temporary Light Fixture: Safety Cage and Snap-Lock Hang Hook, 10,000 Lumen LED Lamp (BULK)	EA	1	BX	60	60	60	Yes	490
15720-15K5	15785	TIGRESS LED Temporary Light Fixture: Safety Cage and Snap-Lock Hang Hook, 15,000 Lumen LED Lamp	EA	1	BX	1	1	1	No	7
15720B-15K5	15787	TIGRESS LED Temporary Light Fixture: Safety Cage and Snap-Lock Hang Hook, 15,000 Lumen LED Lamp (BULK)	EA	1	BX	60	60	60	Yes	490

TIGRESS LED TEMPORARY LIGHT FIXTURE: WARRANTY

Engineered Products Company (herein known as EPCO) warrants at its sole option, after a failure is confirmed as a true defect in materials or workmanship, EPCO will replace or refund, any TIGRESS LED Temporary Light Fixture (herein known as Light Fixture) for a period of one (1) year from original purchase.

This warranty statement applies to the original purchaser and is not transferable. This Warranty does not apply to any of the following:

- Any Light Fixture that was incorrectly installed by drilling holes, puncturing, piercing or any other means that will alter the product's integrity.
- Damage caused by the use of parts, components, and/or other equipment(s) that is not compatible, suitable, or authorized by EPCO for use with any Light Fixture.
- Damage resulting from the use of any Light Fixture in what EPCO, at its sole discretion, considers extreme applications.
- Product damage as determined by EPCO to be caused by a crash, impact, or obvious signs of abuse to any Light Fixture.
- EPCO is not responsible for "charge-backs" for any type of labor allowance required to remove, re-install, or re-power the Light Fixture and/or the replacement with a Light Fixture.

To obtain a Light Fixture replacement, or to obtain a credit under this warranty, the Purchaser must contact Engineered Products Company within the specified one-year warranty period to obtain a Return Materials Authorization (RMA) form and return shipping instructions for the defective light fixture.

Engineered Products Company shall have no responsibility for any Light Fixture deemed "out of warranty". Under no circumstances shall Engineered Products Company be liable for any loss or damage, whether direct or indirect, incidental, consequential, special or otherwise, arising out of or relating to the use of, or the inability to use the Light Fixture in excess of the cost for replacement of this product proven to be defective during the defined warranty period.

Lamp Warranty: The LED Lamp(s) included with this Light Fixture, has a three (3) year warranty. If this lamp fails or you are not satisfied with its performance after one year, contact Feit Electric directly at info@feit.com or call toll-free 1-866-326-Bulb for instructions on lamp replacement.

Lamp replacement is the sole remedy available and liability for incidental or consequential damage is expressly excluded. Do not return this lamp to the Distributor.

UNITS OF MEASURE KEY

Order Unit: The Unit to be ordered; Order Qty: Number of pieces in each Unit; Unit Pkg: Packaging types - BG (Bag), BX (Box), BRL (Barrel); Units/ Case: Unit packages contained in the Case; TL Case Qty: The total number of items in each Master Case; Min Order Qty: The smallest Unit that can be ordered; MM Req: Must order multiples of the Unit in the stated quantities; Ship Wt (Lbs): Total weight of the units per Carton

(03/21-BB)
©2021 Engineered Products Company. All Rights Reserved.

