

TIGER XL™ Temporary LED Luminaire

Engineered Products Company's (EPCO) TIGER XL Temporary LED Luminaire is a low cost, energy efficient lighting solution, highly functional for use in construction and retrofit lighting projects.

This luminaire provides 15,000 lumens of brilliant white illumination over a 360 degree outward facing area and downward. This translates to a productive work environment during building construction or major renovation projects.

Attributes

- ETL listed for dual voltage flexibility! Ability to operate on a 120 or 277-volt circuit; provides the contractor with the ultimate flexibility on the job site.
- High lumen output of 15,000 Lumens @ 100-Watts is highly favorable compared to other competitive products in the market today.
- 35-Foot power and connectivity cord distributes higher lumen output over a broad job site area to improve productivity.
- Less labor required to hang and suspend up to four TIGER XL luminaires (maximum) over the job site.

Benefits

- Distributes 15,000 Lumens @ 100-Watts
- Lumen distribution: 360 degrees - outward and down.
- Impact Resistant: If dropped, luminaire continues to operate with no degradation in lumen output.
- Meets OSHA Standard 1915.82(b)(1)(2)(3); 10-Foot candles minimum.
- Meets 2020 National Electrical Code, Article 410.62(C)(1) and (2).

Features

- No assembly required! Ready to use out of the box.
- Power cord power and connectivity configuration:
 - Primary Power: 1-Foot, pre-stripped pigtail is hard-wired directly into a 120 or 277-volt circuit.
 - Secondary: 35-foot power and connectivity cord powers up to three (3) additional TIGER XL Temporary LED Luminaires.
 - Eliminates receptacle-based connections; removes the possibility of energizing a 120-volt power tool when operating on a 277-Volt circuit.
- "Snap-Lock" hang hook expedites job site installation, folds flat for storage or transportation to the next job site.
- Required maintenance: None.



15,000 Lumens
@100-Watts
Part Number: 15738



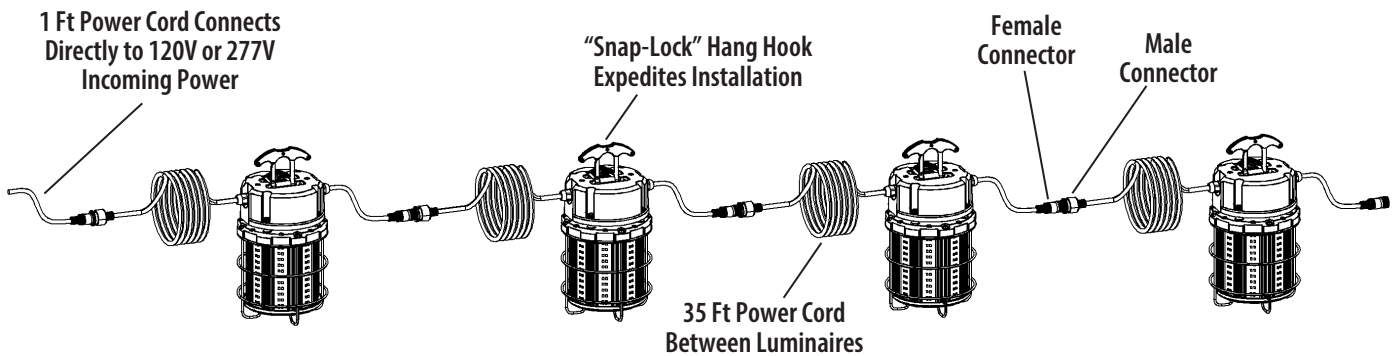
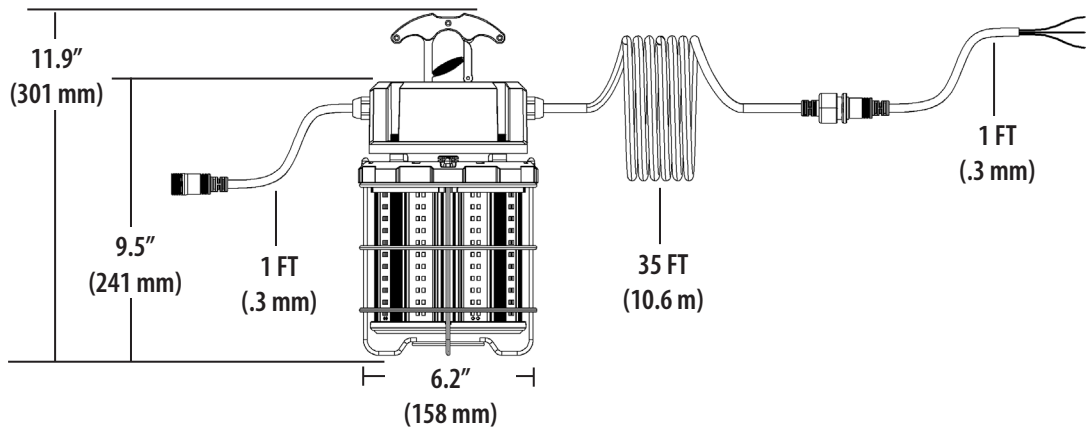
Link
Female
to Male
Connector



Male
Connector



Stripped pigtail
is hard-wired directly
into incoming
120V or 277V Circuit



Specifications

- **Lumen Output:** 15,000
- **Wattage Consumption:** 100-Watts
- **Lumens per Watt (lm/W):** 150
- **Operating Voltage:** Hardwire directly into 120 or 277-volt circuit
- **Amperes:** 1.0 @ 120V; 0.5 @ 277V
- **Power Cord Type:** 16/3 SJTW Power Cord
- **Color Temperature:** 5000K
- **Color Index:** 80 (non-dimmable)
- **Total Connectivity:** Four (4) luminaires
- **Application:** Dry or Damp Environments
- **Operating Temperature:** -4°F (-20°C) to 104°F (40°C)
- **Cage:** Stainless Steel
- **Certification:** ETLus
- **Warranty:** 5-years at L₇₀

Catalog Number	UPC Number	Description	Order Unit	Unit Qty	Unit Pkg	Units/ Case	TL Case Qty	Min Order Qty	MM Req	Ship Wt (Lbs)
15738	15738	TIGER XL, 100-Watt Temporary LED Luminaire, 15,000 Lumen Output, 35-foot SJTW Round Cord	EA	1	BX	4	4	1	No	10

TIGER XL Temporary LED Luminaire Limited Warranty

Engineered Products Company (herein known as EPCO) warrants at its sole option, after a failure is confirmed as a true defect in materials or workmanship, EPCO will replace or refund, the following TIGER XL Temporary LED Luminaire for a period of five (5) years from original purchase

This warranty statement applies to the original purchaser and is not transferable. The Original Purchaser is identified as the first initial installation completed by the Building Owner. If the product fails before the 5-year period expires, please return this product with your original invoice to: Engineered Products Company, Attention: Return Materials Department, 5401 Smetana Drive, Minnetonka, Minnesota 55343.

UNITS OF MEASURE KEY

Order Unit: The Unit to be ordered; **Order Qty:** Number of pieces in each Unit; **Unit Pkg:** Packaging types - BG (Bag), BX (Box), BRL (Barrel); **Units/ Case:** Unit packages contained in the Case; **TL Case Qty:** The total number of items in each Master Case; **Min Order Qty:** The smallest Unit that can be ordered; **MM Req:** Must order multiples of the Unit in the stated quantities; **Ship Wt (Lbs):** Total weight of the units per Carton

E02-150-048 (09/22)
©2022 Engineered Products Company. All Rights Reserved.

