

LED RetroFit Conversion Kits

Product Data Sheet

Our LED RetroFit Conversion Kits include a complete Gear Tray Assembly to specifically convert older 4-foot and 8-foot T8 or T12 strip-type fixtures into energy efficient LED luminaires.

- High quality components and attractive design make the retrofit look like a new LED luminaire at a fraction of the cost.
- Improves the quality, integrity, and sustainability of your lighting system.
- A complete LED lighting system upgrade solution reduces energy consumption and improves energy management.
- Delivers high performance lumen output; no need to purchase a new LED luminaire.
- Provides the contractor with ultimate installation flexibility.
- The retrofit conversion is fast and easy regardless of strip-type fixture brand.

BENEFITS

- ETL Listed to UL Standard 1598C.
- DLC 5.0 Listed and approved for 33-Watt and 66-Watt Part Numbers only.
- Reduced energy consumption compared to older fluorescent lighting systems.
- High system efficacy.
- 100% tested and certified before shipping ensures out of the box performance.
- Assembled in the United States.

FEATURES

- One-piece construction, compact design, fast and trouble free installation.
- Integral adjustable installation brackets accommodate 4.25" or 5.0" strip-type fixture housing widths. See Figure 1.
- Available in two (2) or three (3) T8 fluorescent lamp equivalents.
- LED Strip Type Kits are available with or without the frosted diffuser to meet your application needs.

LED RetroFit Conversion Kit with LED Strip



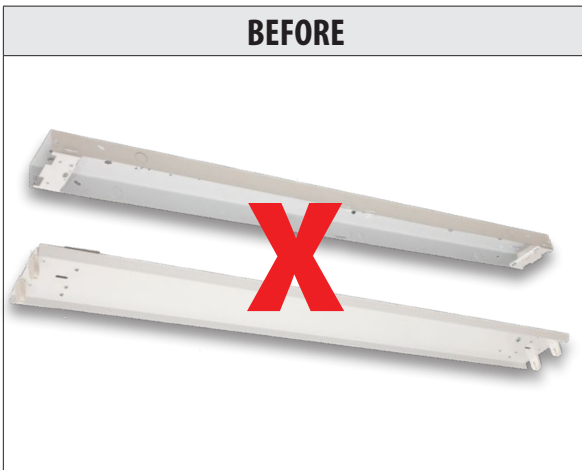
LED RetroFit Conversion Kit for T8 LED Lamps



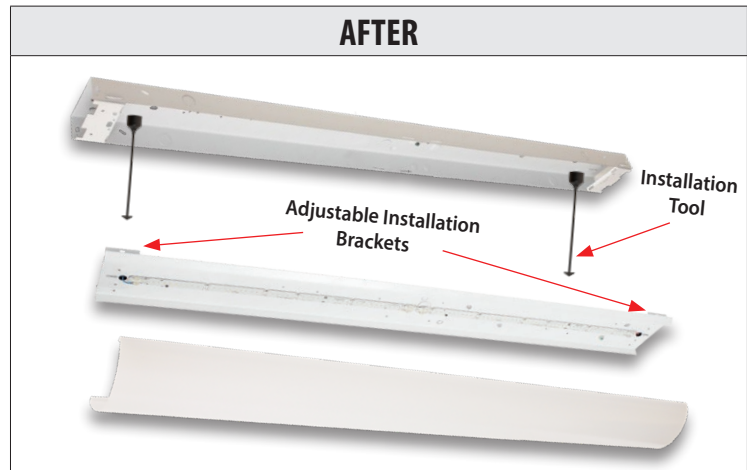
Figure 1: Adjustable Installation Bracket



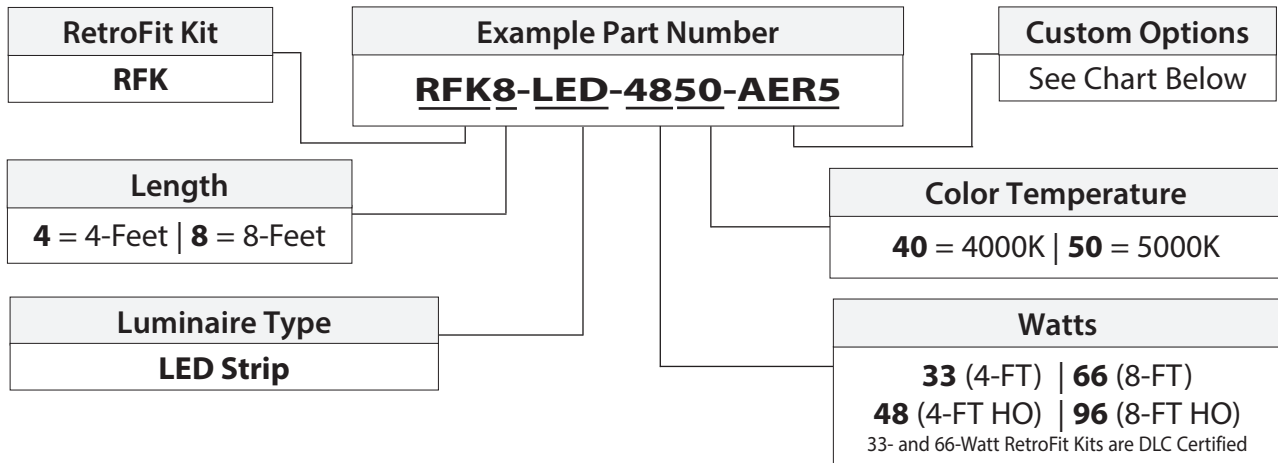
BEFORE



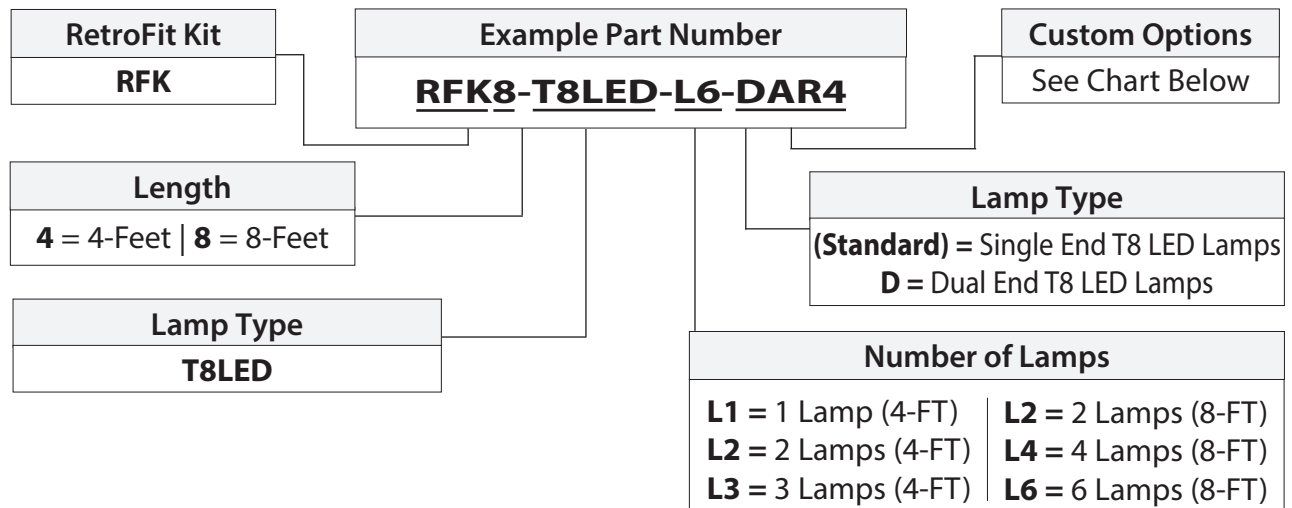
AFTER



LED Strip Part Number Configurator



T8 LED Lamps Part Number Configurator



LED RetroFit Conversion Kit Options

Option	Notes
A. 4-Foot Frosted Diffuser with End Caps	The Frosted Diffuser is an option for strip-type LED RetroFit Conversion Kits and is strongly recommended for ceiling heights less than 15-feet. Two (2) End Caps are included with the Diffuser.
E. Emergency LED Backup Driver (LED Strip)	Non-Stock! Call EPCO Inside Sales for lead time
Occupancy Sensors R4. Microwave – On/Off Only R5. Microwave – 0-10V Dimming, 30% (LED Strip only) R6. Microwave – 0-10V Dimming, 50% (LED Strip only) Note: Longer Lead Times for pre-installed Microwave Occupancy Sensors	Recommended for ceiling heights 15-feet or lower. The microwave sensor detects the slightest movement in the occupancy zone. Detection is sensed through doors, glass, or thin walls.
Z. Bulk Packaging	25 or 50 per skid (eliminates individual carton packaging on the job site).

SPECIFICATIONS

- **Output Lumens (LED Strip with Diffuser):**
 - » 33-Watts (3,904 lumens, 127 efficacy)
 - » 48-Watts — High Output (4,920 lumens, 98 efficacy)
 - » 66-Watts (7,808 lumens, 127 efficacy)
 - » 96-Watts — High Output (9,840 lumens, 98 efficacy)
- **Operating Voltage:** 120-277 VAC @ 60/50 Hz
- **Wattage:** 33 or 48 (4-Foot); 66 or 96 (8-Foot)
- **Color Temperature (LED Strip):** 4000K or 5000K
- **Total Harmonic Distortion:** 20% or less
- **Protection:** Overvoltage, Over Current, and Short Circuit
- **Operating Temperature:** -4°F (-20°C) to 122°F (50°C)
- **Dimming Capability:** 0-100% Output
- **Warranty:** 5 Years or 50,000 Hours at L₇₀
- **Applications:** Dry or Damp Locations
- **Certifications:**
 - » UL Listed
 - » RoHS Compliant
 - » ETL Certified
 - » DLC Listed and Approved (33- and 66-Watts)
 - » FCC Part 15 Class B Consumer Limits (33- and 66-Watts)
 - » FCC Part 15 Class A Non-Consumer Limits (48- and 96-Watts)

OPTIONS AND ACCESSORIES

- **Emergency LED Backup Driver:** Meets life safety code requirements for Emergency Illumination; provides 90 minutes of emergency egress lighting.
- **Frosted Diffuser:** One-piece snap-on polycarbonate UV stabilized frosted diffuser provides even lumen distribution and includes two (2) end caps with screws. The 8-Foot Fixture includes two (2) 4-Foot Diffusers, two (2) end caps and a center splice that connects the Diffusers for a complete installation.
- **Magnetic Installation Tool:** Suspension device used to expedite installation of the gear tray assembly. Supports one-man installation when installing 8-foot fixtures. Eliminates the use of string, tie wire, nylon straps, or other methods.
- **Energy Saving Occupancy Sensors:** Utilizing occupancy sensors provides automatic energy savings up to 70%. EPCO microwave occupancy sensors are suitable for low occupancy applications, including parking garage egress areas, building stairwells, warehouses and storage facilities.



Magnetic Installation Tool



Microwave Occupancy Sensor



Snap-on Frosted Diffuser



8-foot LED RetroFit Conversion Kit with two (2) 4-Foot Diffusers, Center Splice Cover, and End Caps



Center Splice







End Caps (2)

Catalog Number	UPC Number	Description	Order Unit	Unit Qty	Unit Pkg	Units/Case	TL Case Qty	Min Order Qty	MM Req	Ship Wt (Lbs)
Options and Accessories										
RFK-TOOL	14019	Magnetic Installation Tool	EA	1	BG	2	2	2	Yes	1
RFK4-LENS	14039	4-FT Frosted Diffuser	EA	1	BX	1	1	1	Yes	2
RFK8-LENS	14038	8-FT Frosted Diffuser	EA	1	BX	1	1	1	Yes	3

UNITS OF MEASURE KEY

Order Unit: The Unit to be ordered; **Order Qty:** Number of pieces in each Unit; **Unit Pkg:** Packaging types - BG (Bag), BX (Box), BRL (Barrel); **Units/Case:** Unit packages contained in the Case; **TL Case Qty:** The total number of items in each Master Case; **Min Order Qty:** The smallest Unit that can be ordered; **MM Req:** Must order multiples of the Unit in the stated quantities; **Ship Wt (Lbs):** Total weight of the units per Carton

PART NUMBERS

Catalog Number	UPC Number	Description	Order Unit	Unit Qty	Unit Pkg	Units/Case	TL Case Qty	Min Order Qty	MM Req	Ship Wt (Lbs)
LED Retrofit Conversion Kits using LED Strip										
*RFK4-LED-3340	14036	4-FT Gear Tray, 33-Watts, 4000K 	EA	1	BX	1	1	1	No	9
RFK4-LED-3340-A	14037	4-FT Gear Tray, 33-Watts, 4000K, with Frosted Diffuser	EA	1	BX	1	1	1	No	11
*RFK4-LED-3350	14034	4-FT Gear Tray, 33-Watts, 5000K 	EA	1	BX	1	1	1	No	9
*RFK4-LED-3350-A	14035	4-FT Gear Tray, 33-Watts, 4000K, with Frosted Diffuser 	EA	1	BX	1	1	1	No	11
**RFK4-LED-4840	14006	4-FT Gear Tray, 48-Watts, 4000K	EA	1	BX	1	1	1	No	9
**RFK4-LED-4840-A	14007	4-FT Gear Tray, 48-Watts, 4000K, with Frosted Diffuser	EA	1	BX	1	1	1	No	11
**RFK4-LED-4850	14004	4-FT Gear Tray, 48-Watts, 5000K	EA	1	BX	1	1	1	No	9
**RFK4-LED-4850-A	14005	4-FT Gear Tray, 48-Watts, 5000K, with Frosted Diffuser	EA	1	BX	1	1	1	No	11
*RFK8-LED-6640	14030	8-FT Gear Tray, 66-Watts, 4000K 	EA	1	BX	1	1	1	No	18
RFK8-LED-6640-A	14031	8-FT Gear Tray, 66-Watts, 4000K, with Frosted Diffuser	EA	1	BX	1	1	1	No	21
*RFK8-LED-6650	14032	8-FT Gear Tray, 66-Watts, 5000K 	EA	1	BX	1	1	1	No	18
*RFK8-LED-6650-A	14033	8-FT Gear Tray, 66-Watts, 5000K, with Frosted Diffuser 	EA	1	BX	1	1	1	No	21
**RFK8-LED-9640	14028	8-FT Gear Tray, 96-Watts, 4000K	EA	1	BX	1	1	1	No	18
**RFK8-LED-9640-A	14029	8-FT Gear Tray, 96-Watts, 4000K, with Frosted Diffuser	EA	1	BX	1	1	1	No	21
**RFK8-LED-9650	14014	8-FT Gear Tray, 96-Watts, 5000K	EA	1	BX	1	1	1	No	18
**RFK8-LED-9650-A	14015	8-FT Gear Tray, 96-Watts, 5000K, with Frosted Diffuser	EA	1	BX	1	1	1	No	21
LED Retrofit Conversion Kits for T8 LED Lamps										
RFK4-T8LED-L1	14008	4-FT Gear Tray, 1 Single-End Powered Lamp	EA	1	BX	1	1	1	No	7
RFK4-T8LED-L1-D	18008	4-FT Gear Tray, 1 Dual-End Powered Lamp	EA	1	BX	1	1	1	No	7
RFK4-T8LED-L2	14010	4-FT Gear Tray, 2 Single-End Powered Lamps	EA	1	BX	1	1	1	No	7
RFK4-T8LED-L2-D	18010	4-FT Gear Tray, 2 Dual-End Powered Lamps	EA	1	BX	1	1	1	No	7
RFK4-T8LED-L3	14009	4-FT Gear Tray, 3 Single-End Powered Lamps	EA	1	BX	1	1	1	No	7
RFK4-T8LED-L3-D	18009	4-FT Gear Tray, 3 Dual-End Powered Lamps	EA	1	BX	1	1	1	No	7
RFK8-T8LED-L2	14012	8-FT Gear Tray, 2 Single-End Powered Lamps	EA	1	BX	1	1	1	No	13
RFK8-T8LED-L2-D	18012	8-FT Gear Tray, 2 Dual-End Powered Lamps	EA	1	BX	1	1	1	No	13
RFK8-T8LED-L4	14011	8-FT Gear Tray, 4 Single-End Powered Lamps	EA	1	BX	1	1	1	No	13
RFK8-T8LED-L4-D	18011	8-FT Gear Tray, 4 Dual-End Powered Lamps	EA	1	BX	1	1	1	No	13
RFK8-T8LED-L6	14013	8-FT Gear Tray, 6 Single-End Powered Lamps	EA	1	BX	1	1	1	No	13
RFK8-T8LED-L6-D	18013	8-FT Gear Tray, 6 Dual-End Powered Lamps	EA	1	BX	1	1	1	No	13

* Indicates DLC 5.0 Certification

**Indicates High Output illumination

UNITS OF MEASURE KEY

Order Unit: The Unit to be ordered; Order Qty: Number of pieces in each Unit; Unit Pkg: Packaging types - BG (Bag), BX (Box), BRL (Barrel); Units/Case: Unit packages contained in the Case; TL Case Qty: The total number of items in each Master Case; Min Order Qty: The smallest Unit that can be ordered; MM Req: Must order multiples of the Unit in the stated quantities; Ship Wt (Lbs): Total weight of the units per Carton

E02-150-012 D1 (09/20-BB)
©2020 Engineered Products Company. All Rights Reserved.

