

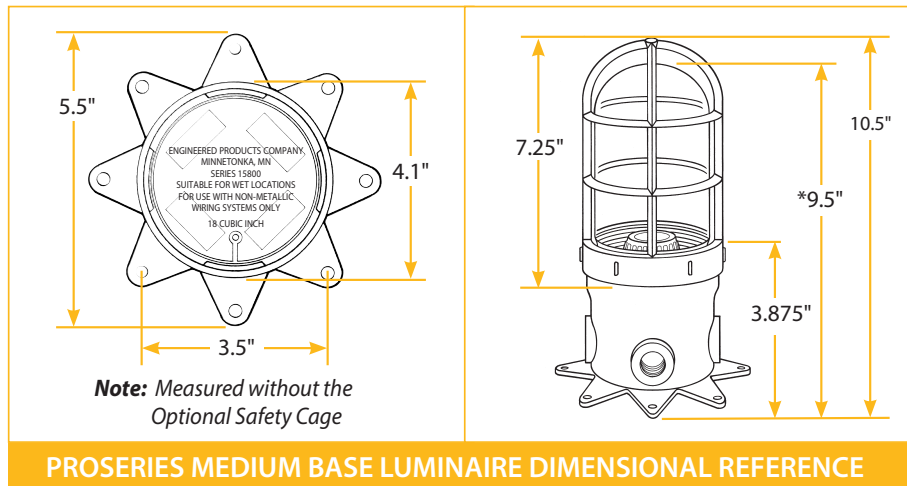
PROSERIES MEDIUM BASE LUMINAIRES

- UL Listed. Suitable for use in wet locations. File Number: E182610.
 - Meets requirements of the 2017 National Electrical Code: Articles 314.15, 314.16(A)(2), 314.17(C), 410.10(A), 410.104(A), 547.5(C)(1) and (2) and 547.8(A) and (B).
 - Includes an 18 cubic-inch PBT junction box and meets NEC junction box fill requirements for adding an additional circuit.
 - Appropriate for use with all non-metallic wiring systems.
 - Labor savings! Fast installation saves time and reduces labor cost.
 - Easy to install; uses eight (8) mounting brackets that are "in-line" with 1/2" and 3/4" trade size knockouts; eliminates a 2" x 4" stub-in by the installer.
- Note:** The Octi-Junction Box is not sold separately and will not fit our Ceiling Mount Luminaires P/Ns: 15050, 15051, 15055, and 15056.
- Rated for use with circuit conductors up to 302°F (150°C).
 - Can be used where high-pressure wash-down is required.
 - UV resistant, high impact, corrosion resistant construction.
 - Optional impact resistant quarter-turn safety cage attaches to the Octi-Junction Box without tools.

Shown with optional Safety Cage



PROSERIES



ProSeries Medium Base Octi-Junction Box Cover



18 Cubic Inch Octi-Junction Box uses eight (8) mounting brackets that are "in-line" knockouts; eliminates a 2" x 4" stub-in.

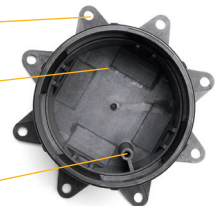
Meets the box fill requirements as referenced in the 2017 National Electrical Code: Articles 314.15, 314.16(A)(2), 314.17(C), 410.10(A), 410.104(A), 547.5(C)(1) and (2) and 547.8(A) and (B). The Octi-Junction Box provides additional capacity for an extra power circuit.

Captive stainless steel set screw and posi-stop detent tab on Octi-Junction Box Cover expedites fixture installation.

Recessed Octi-Junction Box Cover with integral nickel-plated brass screw shell accommodates high profile incandescent or compact fluorescent lamps.

Captive stainless steel set screw secures the Octi-Junction Box Cover to the Octi-Box — expedites fixture installation.

1/2" and 3/4" trade size knockouts.



PROSERIES MEDIUM BASE LUMINAIRES

Catalog Number	UPC Number	Description	Order Unit	Unit Qty	Unit Pkg	Units/Case	TL Case Qty	Min Order Qty	MM Req	Ship Wt (Lbs)
ProSeries Medium Base Utility Luminaires										
15800	15800	ProSeries Utility Luminaire: Standard Glass Globe; Rated for 150-Watt Incandescent Lamp (maximum)	EA	1	BX	12	12	1	No	3
15800B	15850	ProSeries Utility Luminaire (BULK): Standard Glass Globe; Rated for 150-Watt Incandescent Lamp (maximum)	EA	1	BN	12	12	12	Yes	38
15801	15801	ProSeries Utility Luminaire: Standard Glass Globe and Safety Cage; Rated for 150-Watt Incandescent Lamp (maximum)	EA	1	BX	12	12	1	No	3
15801B	15851	ProSeries Utility Luminaire (BULK): Standard Glass Globe and Safety Cage; Rated for 150-Watt Incandescent Lamp (maximum)	EA	1	BN	12	12	12	Yes	38
15805B	15855	ProSeries Utility Luminaire (BULK): Acrylic Prismatic Globe; Rated for 60-Watt Incandescent Lamp (maximum)	EA	1	BN	12	12	12	Yes	38
15806*	15806	ProSeries Utility Luminaire: Polycarbonate Clear Globe; Rated for 60-Watt Incandescent Lamp (maximum)	EA	1	BX	12	12	1	No	2
15806B	15856	ProSeries Utility Luminaire (BULK): Polycarbonate Clear Globe; Rated for 60-Watt Incandescent Lamp (maximum)	EA	1	BN	12	12	12	Yes	38
15807B*	15857	ProSeries Utility Luminaire (BULK): Tall Acrylic Prismatic Globe; Rated for 60-Watt Incandescent Lamp (maximum)	EA	1	BN	12	12	12	Yes	38
15810B	15860	ProSeries Utility Luminaire (BULK): Tempered Glass Globe; Rated for 150-Watt Incandescent Lamp (maximum)	EA	1	BN	12	12	12	Yes	38
ProSeries Medium Base Utility Luminaire Accessories										
15812	15812	Safety Cage: 1/4 Turn Attachment	EA	1	BX	12	12	1	No	1
15815	15815	Octi-Junction Box Cover: with Porcelain Lamp Holder	EA	1	BX	12	12	1	No	1
15681	15681	LED A21 Lamp: 15.5-Watt, 5000K, dimmable, Energy Star rated; Lumen output is equal to 100-Watt incandescent lamp	EA	1	BX	12	12	1	No	1

*Note: Optional Safety Cage (Part Number 15812) will not fit ProSeries Part Number 15806 or 15807B.

PRODUCT WARRANTY

Unless otherwise noted, Engineered Products Company (herein known as EPCO) warrants that the products described herein, will be furnished free from defects in material and workmanship for one (1) year. Any exceptions to this Warranty Statement will be detailed within the respective warranty section in this product catalog, noted on the product itself, or the product packaging.

EPCO's sole obligation for any breach of warranty under the terms herein shall be, at our option, to repair or provide replacement for the Product to which such warranty is breached, or to return all payments made with respect to such product. Any product(s) that are deemed to be defective must be specified by the Purchaser in a written notice to EPCO's Warranty Department within one (1) year after receipt of such goods. Under no circumstances will EPCO be liable for loss of profits or incidental, indirect, consequential or special damages of any kind beyond the replacement cost of the defective merchandise.

EPCO shall not be liable for any losses arising from governmental action, an act of God, or the result of war, riot, strikes, civil commotion, sovereign conduct, or the act or conduct of any person or persons not party to or associated with EPCO.

UNITS OF MEASURE KEY

Order Unit: The Unit to be ordered; Order Qty: Number of pieces in each Unit; Unit Pkg: Packaging types - BG (Bag), BX (Box), BRL (Barrel); Units/Case: Unit packages contained in the Case; TL Case Qty: The total number of items in each Master Case; Min Order Qty: The smallest Unit that can be ordered; MM Req: Must order multiples of the Unit in the stated quantities; Ship Wt (Lbs): Total weight of the units per Carton

E02-150-003 E1 (05/18-BB)
©2014 Engineered Products Company. All Rights Reserved.
ProSeries and Octi-Junction Box Cover are trademarks of Engineered Products Company.

www.engproducts.com

5401 SMETANA DRIVE | MINNETONKA, MN 55343

P 800.336.1976 | F 800.336.2801

Specifications subject to change without prior notice.



**ENGINEERED
PRODUCTS CO.**