

LED RetroFit Kits for Vapor Tight Light Fixtures

Product Data Sheet

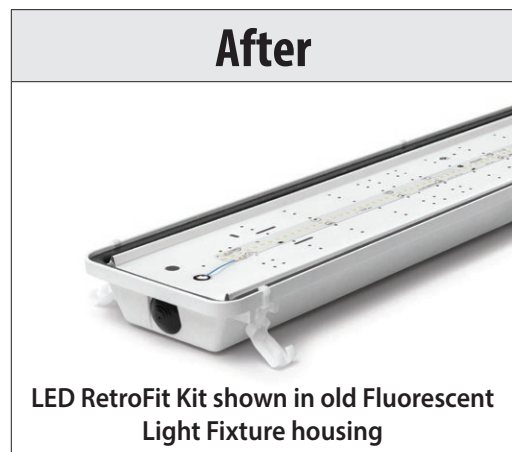
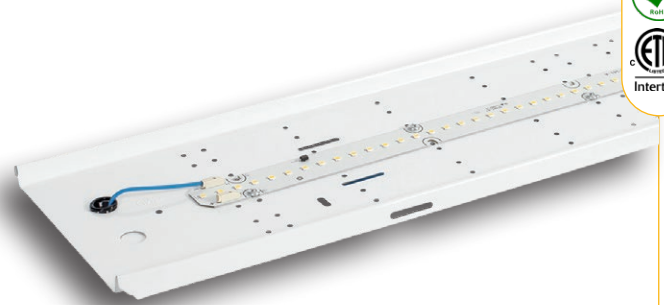
Replace your aging vapor tight light fixture currently using fluorescent lamps with our LED RetroFit Kits. This retrofit kit eliminates pending ballast failures, lamp flickering, dimness, and immediately saves 10% or more on the light fixture's energy consumption.

Benefits

- Retrofitting is less than half the cost compared to replacing the entire light fixture.
- LED RetroFit Kit includes a "new" smooth Acrylic Replacement Lens to look like a new LED Luminaire
- Easily field installed by a qualified electrician.
- Immediately gain high efficacy and higher lumen output from your lighting system.
- 50,000-hour plus average service compared to 20,000-hour fluorescent lamps.

Features

- The gear tray's modular wiring simplifies and expedites supply line connections to the existing lighting system.
- Guaranteed reduction on energy consumption and lower operating costs.
- The long-life LED circuit board is mounted directly to the gear tray for maximum thermal dissipation.
- High efficacy, long-life Standard or High Output (HO) applications specific features a single row of LEDs mounted to the gear tray.
- LED Driver includes:
 - » Auto-compensate feature to ensure "fail safe" operation.
 - » Inputs for dimmable lighting controls.



Specifications	
Vapor Tight Fixture Housing Lengths	Accommodates 4- or 8-Foot Fixture Housings
Power Factor	.9 or Higher
Operating Voltage	120-277 VAC @ 60/50 Hz Standard Output and High Output
Operating Temperature	Standard Output and High Output: -40°F to 131°F (-40°C to 55°C) Very High Output: -40°F to 122°F (-40°C to 50°C)
Industry Certifications	ETL Listed (Per UL 1598/8750), RoHS Compliant
Warranty	5 Years / 50,000 Hours at L ₇₀

Specifications

Fluorescent Lamp Equivalent	Luminaire Model	Length	Type	Designation RF = RetroFit	Correlated Color Temperature (CCT)*	Color Rendering Index (CRI)	Total Wattage	Lumens	Luminous Efficacy
4-Foot LED Strip RetroFit Kits									
(2) F32T8	G4LED-RF-S3034-NL	G4	LED	RF	3000K	80 min.	34	4435	145
(2) F32T8	G4LED-RF-S3534-NL	G4	LED	RF	3500K	80 min.	34	4481	146
(2) F32T8	G4LED-RF-S4134-NL	G4	LED	RF	4000K	80 min.	34	4668	152
(2) F32T8	G4LED-RF-S5034-NL	G4	LED	RF	5000K	80 min.	34	4715	153
(3) F32T8	G4LED-RF-S3051-NL	G4	LED	RF	3000K	80 min.	51	6395	131
(3) F32T8	G4LED-RF-S3551-NL	G4	LED	RF	3500K	80 min.	51	6463	132
(3) F32T8	G4LED-RF-S4151-NL	G4	LED	RF	4000K	80 min.	51	6732	137
(3) F32T8	G4LED-RF-S5051-NL	G4	LED	RF	5000K	80 min.	51	6800	138
(2) F54T5HO	G4LED-RF-S3059-NL	G4	LED	RF	3000K	80 min.	59	7868	142
(2) F54T5HO	G4LED-RF-S3559-NL	G4	LED	RF	3500K	80 min.	59	7951	143
(2) F54T5HO	G4LED-RF-S4159-NL	G4	LED	RF	4000K	80 min.	59	8282	149
(2) F54T5HO	G4LED-RF-S5059-NL	G4	LED	RF	5000K	80 min.	59	8365	150
8-Foot LED RetroFit Kits									
(4) F32T8	G8LED-RF-S3068-NL	G8	LED	RF	3000K	80 min.	68	8890	145
(4) F32T8	G8LED-RF-S3568-NL	G8	LED	RF	3500K	80 min.	68	8962	146
(4) F32T8	G8LED-RF-S4168-NL	G8	LED	RF	4000K	80 min.	68	9336	152
(4) F32T8	G8LED-RF-S5068-NL	G8	LED	RF	5000K	80 min.	68	9430	153
(6) F32T8	G8LED-RF-S30102-NL	G8	LED	RF	3000K	80 min.	102	12790	131
(6) F32T8	G8LED-RF-S35102-NL	G8	LED	RF	3500K	80 min.	102	12926	132
(6) F32T8	G8LED-RF-S41102-NL	G8	LED	RF	4000K	80 min.	102	13464	137
(6) F32T8	G8LED-RF-S50102-NL	G8	LED	RF	5000K	80 min.	102	13600	138
(4) F54T5HO	G8LED-RF-S30118-NL	G8	LED	RF	3000K	80 min.	118	15736	142
(4) F54T5HO	G8LED-RF-S35118-NL	G8	LED	RF	3500K	80 min.	118	15902	143
(4) F54T5HO	G8LED-RF-S41118-NL	G8	LED	RF	4000K	80 min.	118	16564	149
(4) F54T5HO	G8LED-RF-S50118-NL	G8	LED	RF	5000K	80 min.	118	16730	150

 **White:** Standard Output. **Operating Temperature:** -40° to 131°F (-40° to 55°C)

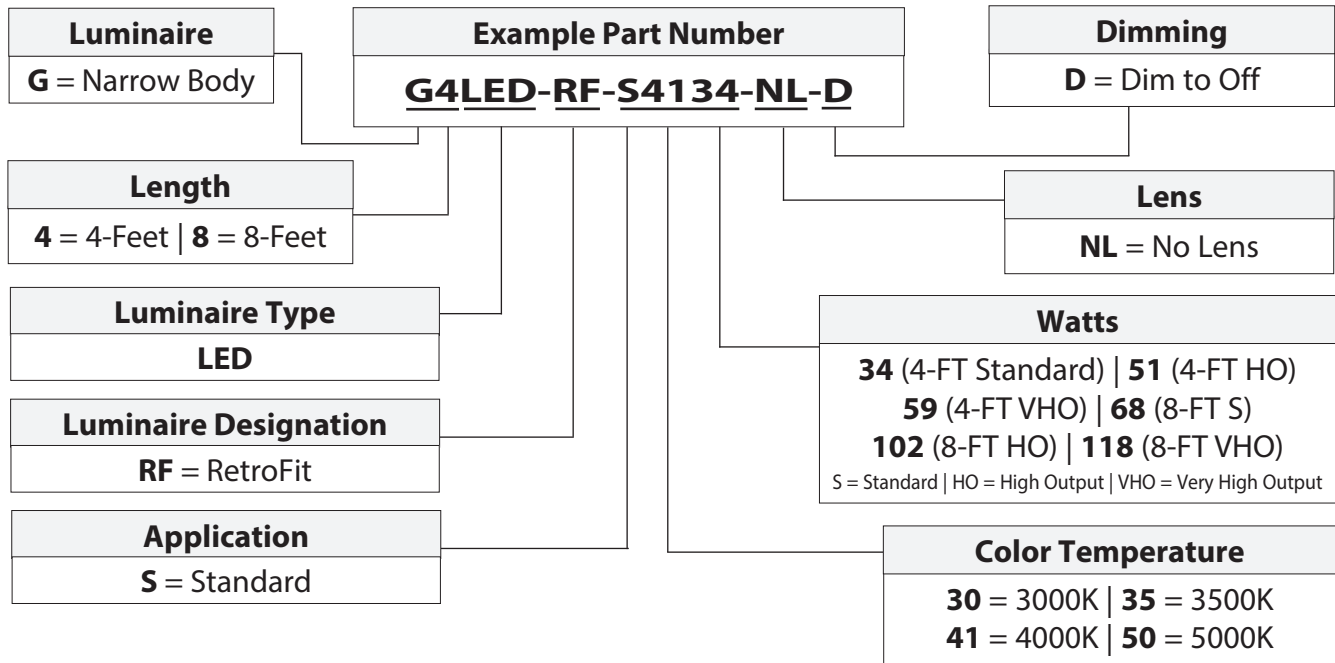
 **Green:** High Output. **Operating Temperature:** -40° to 131°F (-40° to 55°C)

 **Blue:** Very High Output. **Operating Temperature:** -40° to 122°F (-40° to 50°C)



Note: Nominal color designation in units of Kelvin

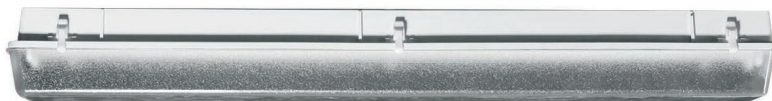
LED RetroFit Kits Part Number Configurator



Number of Latches



8 Latches (4-foot) or 16 Latches (8-foot): Will fit EPCO's LED RetroFit Kit



6 Latches (4-foot) or 12 Latches (8-foot): Will not fit EPCO's LED RetroFit Kit

Contact our Inside Sales Department (800.336.1976 or sales@engproducts.com) for more information.

LED RetroFit Kit Options	
Option	Notes
D. Dim to Off	Lighting system dimming controller dims to off.
E. Emergency LED Backup Driver	Call EPCO Inside Sales for lead time
L. Luminaire Disconnect	Luminaire Disconnect standard on all LED Luminaires.
Z. Bulk Packaging	25 or 50 per skid (eliminates individual carton packaging on the job site).
GFF-DS4 (sold separately)	Frosted Smooth Diffuser, 4-feet
GFF-DS8 (sold separately)	Frosted Smooth Diffuser, 8-feet

Distributed By:

(03/21-BB)
2021 Engineered Products Company. All Rights Reserved.

