



T8 LED LAMP WIRING HARNESS KITS

RETROFIT CONVERSION KITS FOR STRIP-LIGHT FIXTURES



Strip-Light Wiring Harness Kit

Upgrade your lighting system to LED technology at the lowest possible cost by installing EPCO's Strip-Type Wiring Harness RetroFit Kits. These easy-to-install Wiring Harness kits provide you with an energy efficient upgrade from traditional T8 or T12 fluorescent lamps to T8 LED Lamps. This lowers your energy consumption up to 40%, provides long-term sustainable energy savings, complies with local and national energy regulations, and qualifies for rebates from your electric utility.

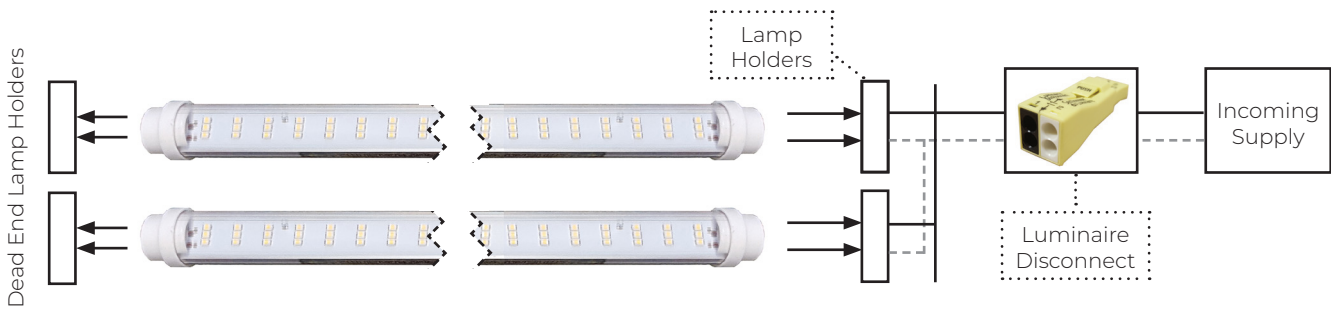
Easy to install, these pre-wired harness kits connect to the incoming 120-277V supply line voltage, bypassing the original ballast via the luminaire disconnect and directly to the luminaire.

Our wiring harness kits are intended for use with Type B single-end powered bi-pin T8 LED Lamps classified to UL Standard 1598C.

For warranty information visit www.engproducts.com.

TYPICAL APPLICATIONS:

- Warehouses
- Production and Manufacturing Facilities
- Food Preparation Facilities
- Storage Facilities
- Retail Storage Areas
- Industrial Facilities
- Auto, Truck, and Marine Repair Shops
- Transportation Facilities
- Parking Garages



Part Number	UPC Number	Description	Order Unit	Unit Qty	Unit Pkg	Units/Case	TL Case Qty	Min Order Qty	MM Req	Ship Wt (Lbs)
Wiring Harness RetroFit Conversion Kits for T8 LED Lamps (From T8 or T12 Fluorescent Lamps)										
14087	14087	8-FT Fixture Wiring Harness Kit: Uses four (4) T8 LED Lamps; Includes 4-FT Supply Line Jumper with Luminaire Disconnect and four (4) Dead-End Lamp Holders	EA	1	BG	10	10	10	Yes	5
14088	14088	4-FT Fixture Wiring Harness Kit: Uses two (2) T8 LED Lamps; Includes 4-FT Supply Line Jumper with Luminaire Disconnect and two (2) Dead-End Lamp Holders	EA	1	BG	10	10	10	Yes	5
14089	14089	8-FT Fixture Wiring Harness Kit: Uses two (2) T8 LED Lamps; Includes 4-FT Supply Line Jumper with Luminaire Disconnect and two (2) Dead-End Lamp Holders	EA	1	BG	10	10	10	Yes	5
Fixture Bracket RetroFit Conversion Kit Accessories										
14080	14080	Wiring Compartment Cover: 4-FT - White; Includes five (5) 1/4 Turn Retainer Clips for 4.25" Wide Fixture Housing ONLY	EA	1	BX	12	12	12	Yes	5
Note: Wiring Harness Part Numbers 14087, 14088, and 14089 are specifically for use with a Type B Single-End Powered Bi-Pin T8 LED Lamps only; classified to UL Standard 1598C. The incoming line supply voltage must be connected to the HOT and Neutral (Black and White) conductors on the wiring harness luminaire disconnect.										

UNITS OF MEASURE KEY

Order Unit: The Unit to be ordered; Order Qty: Number of pieces in each Unit; Unit Pkg: Packaging types - BG (Bag), BX (Box), BRL (Barrel); Units/Case: Unit packages contained in the Case; TL Case Qty: The total number of items in each Master Case; Min Order Qty: The smallest Unit that can be ordered; MM Req: Must order multiples of the Unit in the stated quantities; Ship Wt (Lbs): Total weight of the units per Carton





T8 LED LAMP WIRING HARNESS KITS

RETROFIT CONVERSION KITS FOR LIGHTING TROFFERS

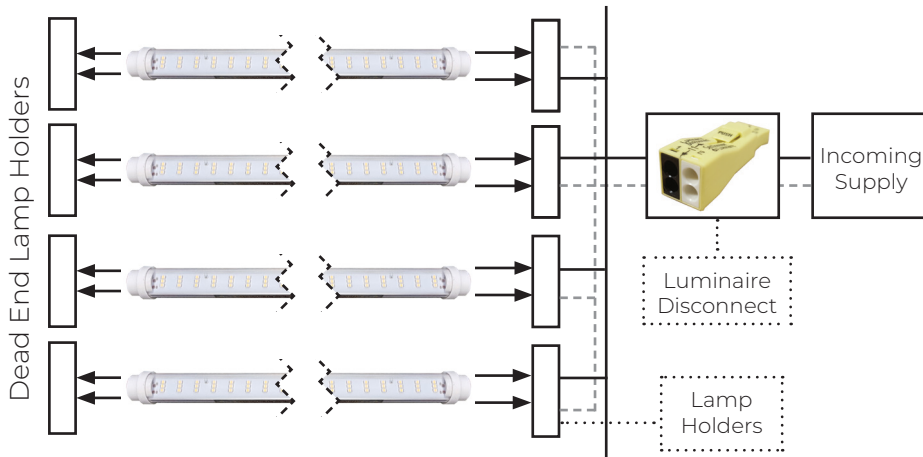
EPCO's pre-wired Wiring Harness RetroFit Kits for 2x2-foot or 2x4-foot lighting troffers in 2, 3, or 4 lamp configurations is an affordable, low-cost T8 LED retrofit option to improve your lighting system.

Reduce your energy consumption up to 40%, get long-term sustainable energy savings, improve your building's overall energy efficiency, and comply with local and national energy regulations to qualify for rebates from your electric utility.

Compatible with all existing recessed lighting troffers with prismatic lenses or parabolic louvers. The two- or three-lamp configurations are intended for use with Type B single-end powered bi-pin T8 LED Lamps classified to UL Standard 1598C.

Easy to install, these pre-wired harness kits connect to the incoming 120-277V supply line voltage, bypassing the original ballast via the luminaire disconnect and directly to the luminaire.

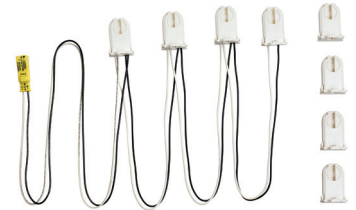
For warranty information visit www.engproducts.com.



P/N 14082: 4-FT Troffer Wiring Harness using two (2) T8 LED Tubes



P/N 14084: 4-FT Troffer Wiring Harness using four (4) T8 LED Tubes



TYPICAL APPLICATIONS:

- Office Buildings
- Education Facilities
- Commercial Strip Malls
- Auto Dealerships
- Restaurants
- Health Clubs
- Hospitals and Medical Institutions
- Senior Living Facilities
- Multi-Family Residential Buildings

Part Number	UPC Number	Description	Order Unit	Unit Qty	Unit Pkg	Units/Case	TL Case Qty	Min Order Qty	MM Req	Ship Wt (Lbs)
Troffer Wiring Harness RetroFit Conversion Kits for T8 LED Lamps (From T8 or T12 Fluorescent Lamps)										
14082	14082	4-FT Troffer Wiring Harness Kit: Uses two (2) T8 LED Lamps; Includes 4-FT Supply Line Jumper with Luminaire Disconnect and two (2) Dead-End Lamp Holders	EA	1	BG	10	10	10	Yes	4
14083	14083	4-FT Troffer Wiring Harness Kit: Uses three (3) T8 LED Lamps; Includes 4-FT Supply Line Jumper with Luminaire Disconnect and three (3) Dead-End Lamp Holders	EA	1	BX	25	25	25	Yes	8
14084	14084	4-FT Troffer Wiring Harness Kit: Uses four (4) T8 LED Lamps; Includes 4-FT Supply Line Jumper with Luminaire Disconnect and four (4) Dead-End Lamp Holders	EA	1	BG	10	10	10	Yes	4

Note: Wiring Harness Part Numbers 14082, 14083, and 14084 are specifically for use with a Type B Single-End Powered Bi-Pin T8 LED Lamps only; classified to UL Standard 1598C. The incoming line supply voltage must be connected to the HOT and Neutral (Black and White) conductors on the wiring harness luminaire disconnect.

UNITS OF MEASURE KEY

Order Unit: The Unit to be ordered; Order Qty: Number of pieces in each Unit; Unit Pkg: Packaging types - BG (Bag), BX (Box), BRL (Barrel); Units/Case: Unit packages contained in the Case; TL Case Qty: The total number of items in each Master Case; Min Order Qty: The smallest Unit that can be ordered; MM Req: Must order multiples of the Unit in the stated quantities; Ship Wt (Lbs): Total weight of the units per Carton



☎ 800.336.1976
 ✉ sales@engproducts.com
 🌐 engproducts.com

📍 5401 Smetana Drive, Minnetonka, MN 55343

