

Illumination Control Fixture Whip In 3/8" Flexible Metal Conduit

Product Data Sheet

Smart Buildings are becoming more intelligent, and its integrated, network-based architecture is designed to self-regulate the building's environment and operations, including the lighting systems. When combined with the installation of LED luminaires, this combination has become the new standard for a variety of lighting system control options.

The key integrating component is Engineered Products Company's prefabricated Illumination Control Fixture Whip in a 3/8-inch conduit configuration. This is the most suitable and bridging component in the market to manage lighting systems control inputs for LED luminaire's low power amperage and voltage draw.

Attributes

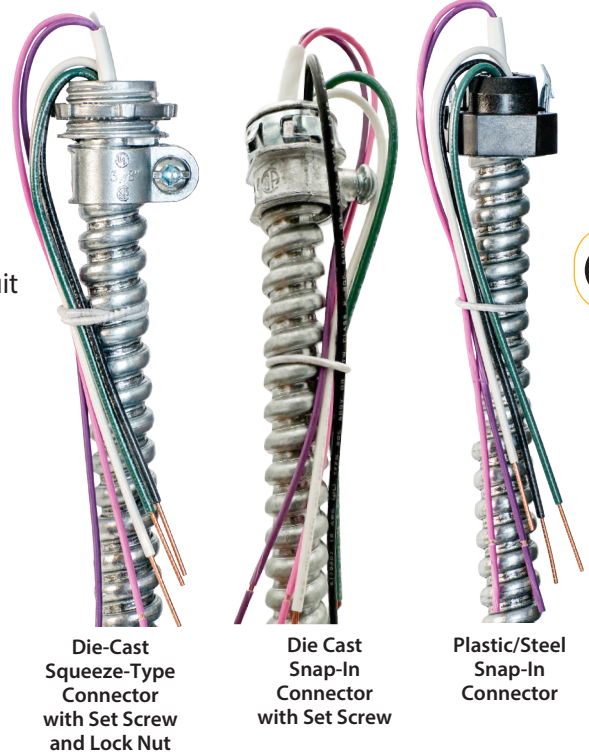
- Manufactured using 3/8-inch flexible metal conduit (FMC) for 120 or 277-volt lighting systems. Includes the purple and pink jacketed control conductors.
- Includes two (2) 90-inch jacketed 18 AWG NEMA standard illumination purple and pink lighting control conductors.
- An integral power and lighting control component for new or retrofit LED-based lighting systems.

Benefits

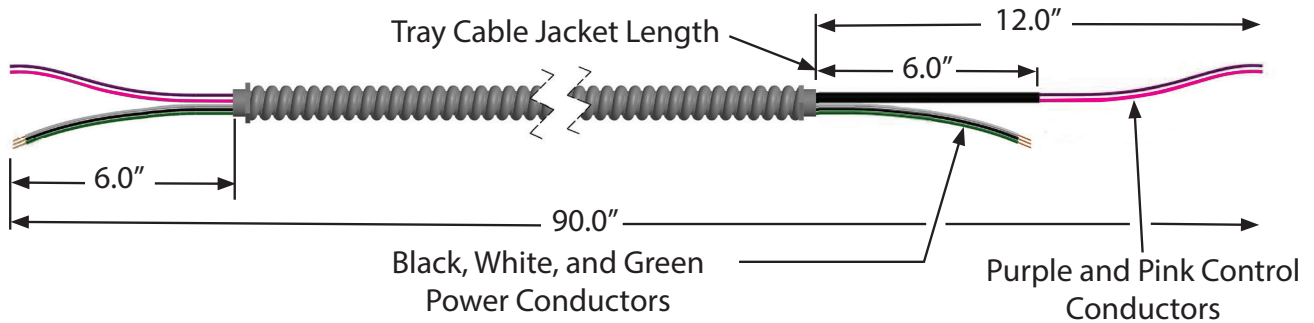
- LED luminaires draw lower operating amperage and voltage to energize LED luminaires.
- Our 3/8" Illumination Control Fixture Whip use 18-gauge, 300-volt rated conductors designed to energize and provide illumination control of LED luminaires.
- Meets the requirements of the 2023 National Electrical Code: Articles 300.3(B)(2), (C)(1), Section 725.136(I)(1), and 725.139(A) through (D)(1) and California Title 24 Lighting Controls, Articles 130.1(A)(B)(C)(D)(E).

Features

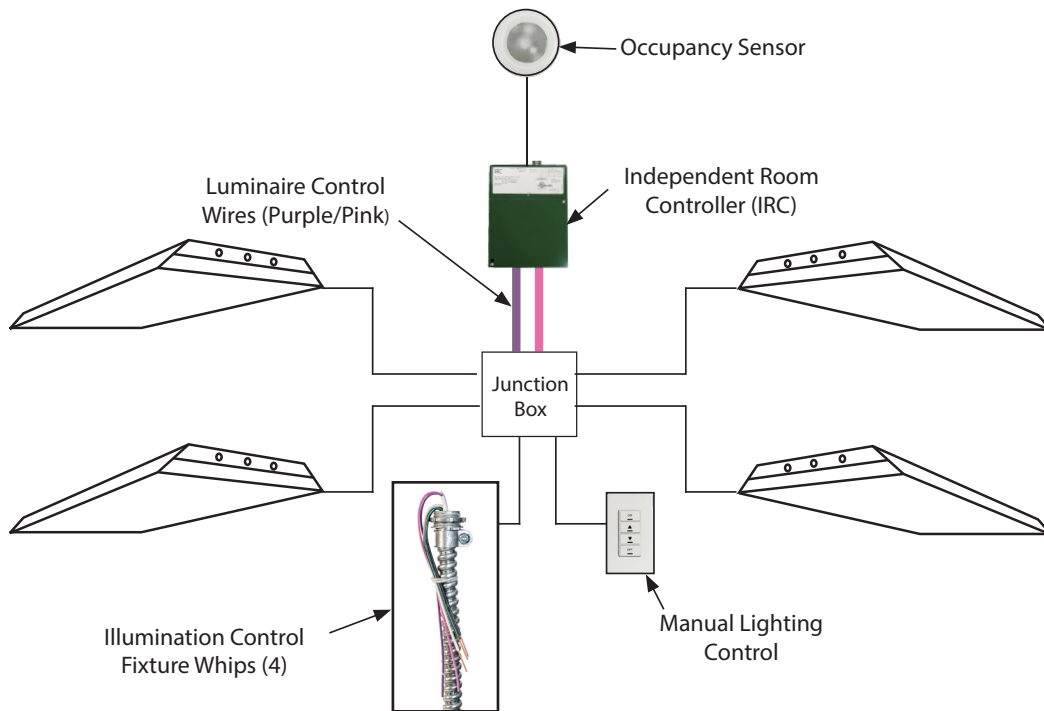
- Use to control the lumen output of the luminaire controls for daylight harvesting, occupancy sensors, or light timing controls.
- Select from the following "external" connectors:
 - Die-Cast Squeeze-Type Connector w/Set Screw and Lock Nut
 - Die-Cast Snap-In Connector w/Set Screw
 - Phenolic (Plastic and Steel) Snap-in Connector
- Custom color configurations available.



ILLUMINATION CONTROL Fixture Whip — Dimensions



ILLUMINATION CONTROL Fixture Whip — Application Example



Connector Reference Guide



Type: External - Set Screw, Squeeze with Lock Nut
Connector Size: 3/8-inch
Part Number: E00-041-000
Material: Die Cast
Insulated: No



Type: External - Standard Snap-In; with Set Screw
Connector Size: 3/8-inch
Part Number: E00-003-001
Material: Die Cast
Insulated: No



Type: External - Snap-In, Phenolic Plastic with Steel
Connector Size: 3/8-inch
Part Number: E00-002-000
Material: Phenolic Plastic and Steel
Insulated: Yes

ILLUMINATION CONTROL FIXTURE WHIPS

Catalog Number	UPC Number	Description	Order Unit	Unit Qty	Unit Pkg	Units/Case	TL Case Qty	Min Order Qty	MM Req	Ship Wt (Lbs)
Illumination Control Fixture Whips: 6-Foot, 3/8-Inch with External Die-Cast Set Screw Lock Nut Connector										
EPW1863EX-3/8-IC	11009	3-18 Stranded Wire, 120V, Die-Cast, Squeeze-Type External Connector with Set Screw and Lock Nut	EA	1	BRL	100	100	10	Yes	122
EPW1863EX-3/8-BGG-IC	11010	3-18 Stranded Wire, 277V, Die-Cast, Squeeze-Type External Connector with Set Screw and Lock Nut	EA	1	BRL	100	100	10	Yes	122
EPW1863S-EX-3/8-IC	11011	3-18 Solid Wire, 120V, Die-Cast, Squeeze-Type External Connector with Set Screw and Lock Nut	EA	1	BRL	100	100	10	Yes	122
EPW1863S-EX-3/8-BGG-IC	11012	3-18 Solid Wire, 277V, Die-Cast, Squeeze-Type External Connector with Set Screw and Lock Nut	EA	1	BRL	100	100	10	Yes	122
Illumination Control Fixture Whips: 6-Foot, 3/8-Inch with External Die-Cast Snap-In Connector										
EPW1863ADEX-3/8-IC	11005	3-18 Stranded Wire, 120V, Die-Cast, Snap-in External Connector with Set Screw	EA	1	BRL	100	100	10	Yes	119
EPW1863ADEX-3/8-BGG-IC	11006	3-18 Stranded Wire, 277V, Die-Cast, Snap-in External Connector with Set Screw	EA	1	BRL	100	100	10	Yes	119
EPW1863SADEX-3/8-IC	11007	3-18 Solid Wire, 120V, Die-Cast, Snap-in External Connector with Set Screw	EA	1	BRL	100	100	10	Yes	119
EPW1863SADEX-3/8-BGG-IC	11008	3-18 Solid Wire, 277V, Die-Cast, Snap-in External Connector with Set Screw	EA	1	BRL	100	100	10	Yes	119
Illumination Control Fixture Whips: 6-Foot, 3/8-Inch with External Phenolic Plastic and Steel Snap-In Connector										
EPW1863A-3/8-IC	11001	3-18 Stranded Wire, 120V, External Phenolic Plastic and Steel Snap-in Connector	EA	1	BRL	100	100	10	Yes	125
EPW1863A-3/8-BGG-IC	11002	3-18 Stranded Wire, 277V, External Phenolic Plastic and Steel Snap-in Connector	EA	1	BRL	100	100	10	Yes	125
EPW1863SA-3/8-IC	11003	3-18 Solid Wire, 120V, External Phenolic Plastic and Steel Snap-in Connector	EA	1	BRL	100	100	10	Yes	125
EPW1863SA-3/8-BGG-IC	11004	3-18 Solid Wire, 277V, External Phenolic Plastic and Steel Snap-in Connector	EA	1	BRL	100	100	10	Yes	125

Note: Each 3/8" ICFW includes two (2), 18 AWG stranded wire, NEMA standard purple and pink illumination control conductors.

UNITS OF MEASURE KEY

Order Unit: The Unit to be ordered; **Order Qty:** Number of pieces in each Unit; **Unit Pkg:** Packaging types - BG (Bag), BX (Box), BRL (Barrel); **Units/Case:** Unit packages contained in the Case; **TL Case Qty:** The total number of items in each Master Case; **Min Order Qty:** The smallest Unit that can be ordered; **MM Req:** Must order multiples of the Unit in the stated quantities; **Ship Wt (Lbs):** Total weight of the units per Carton

(04/25 - AK)
2025 Engineered Products Company. All Rights Reserved.

