

Tripod Stand for TIGER™, TIGER™ XL, & TIGERcub™ LED Luminaires

Product Data Sheet

EPCO's single-point Tripod Stand for the TIGER (P/Ns 15735), TIGER XL (P/N 15738), & TIGERcub (P/Ns 15722 and 15723) LED Temporary Luminaires is specifically intended to hold the luminaire in a fixed position for floor or ground-based lighting applications.

BENEFITS

- Ready for immediate application use.
- Expedites job site productivity when working in areas where ground or floor lighting is needed.
- Suitable for use indoors, outdoors, and in damp or cold locations.
- 40-Inch footprint provides a stable, solid and balanced platform for luminaire's weight.
- Two (2) locking sections easily support up to 12 pounds.
Example: TIGER 100-Watt LED Luminaire Weight - Five (5) Pounds
- One (1) Year Warranty.

FEATURES

- Portable, two-section, lightweight steel Tripod rises to a maximum usable height of 5.5 feet (66-inches), and can lower to a minimum of approximately 41-inches.
- Provisioned with locking thumbscrews to secure height adjustments for the end-user.
- Includes removal wing nut (size M8) with male threads to support other equipment mounting applications. Note: Threads are M8 - 1.25mm

TIGER
100-Watt
P/N: 15735



TIGER XL
100-Watt
P/N: 15738



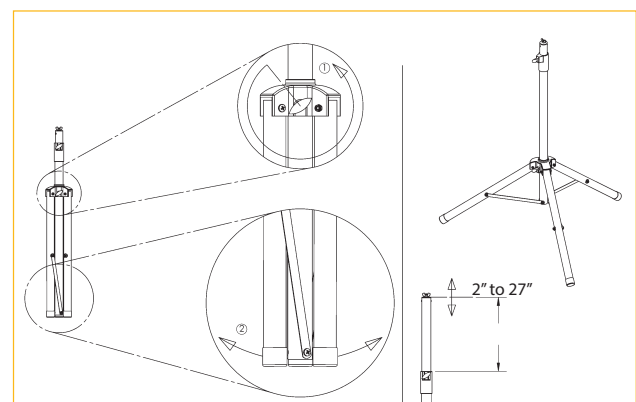
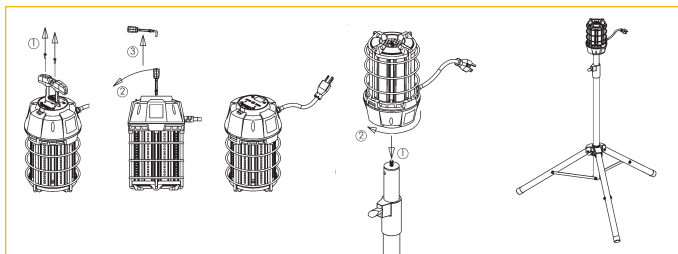
TIGERcub
100-Watt
P/N: 15722



Tripod Stand Shown with
100-Watt TIGER LED Luminaire

MOUNTING INSTRUCTIONS

EPCO's single-point Tripod Stand for the TIGER, TIGER XL, and TIGERcub LED Temporary Luminaires is specifically intended to hold the luminaire in a fixed position for floor or ground-based lighting applications.



Luminaire Tripod - General Specifications	
Tripod Type	General Purpose
Maximum Working Height	66-inches (1676 mm)
Minimum Working Height	41-inches (1041 mm)
Footprint (Diameter)	40-inches (1016 mm)
Footprint Feet Type	Rubber, Non-Slip Material (for Indoor and Outdoor Applications)
Load Capacity (at full extension)	12 lbs. (5.4 kg)
Finish	Powder Coated Black Lightweight Steel
Weight	4.0 lbs. (1.8 kg)
Carton Weight	5.0 lbs. (2.2 kg)
Carton Dimensions (L x W x H)	35-inches (889.0 mm) x 5.5-inches (139.7 mm) x 5.5-inches (139.7 mm)
Warranty	1-Year

PART NUMBERS

Catalog Number	UPC Number	Description	Order Unit	Unit Qty	Unit Pkg	Units/Case	TL Case Qty	Min Order Qty	MM Req	Ship Wt (Lbs)
Tripod Stand for TIGER LED Luminaires										
TEMPLIGHT-TP	15741	Tripod Stand for TIGER, TIGER XL, & TIGERCub LED Temporary Luminaire	EA	1	BX	1	1	1	No	6
TIGER LED Temporary Luminaires										
15735	15735	TIGER LED: 100-Watt, with Lamp Guard and 8-FT 18 AWG SJTW Round Cord	EA	1	BX	4	4	1	No	5
TIGER XL LED Temporary Luminaires										
15738	15738	TIGER XL LED: 100-Watt, with 35-FT 16/3 SJTW Round Cord	EA	1	BX	4	4	1	Yes	10
TIGERCub Temporary Luminaires										
15722	15722	TIGERCub LED: 100-Watt, with 5-FT 18 AWG SJTW Round Cord	EA	1	BX	4	4	1	1	6
15723	15723	TIGERCub LED: 150-Watt, with 5-FT 18 AWG SJTW Round Cord	EA	1	BX	4	4	1	1	7

Tripod Stand Warranty Agreement

One (1) Year Warranty to the original purchaser. Under this warranty agreement, Engineered Products Company (EPCO) states this Tripod Stand is free of latent defects in material or workmanship, when used for the intended purpose of holding either the TIGER LED Luminaire in a stationary position.

In the event of a warranty claim, if the Tripod is determined by EPCO to be defective in materials or workmanship, at our discretion, EPCO will replace as deemed necessary.

EPCO will, under no circumstances be liable for any special incidental or consequential damages, including, but not limited to, personal injury, property damage, damage to or loss of equipment, lost profits or revenue, the costs of renting a replacement(s), and other additional expenses, even if EPCO has been advised of the possibility of such damages.

To obtain coverage under this warranty agreement, the original purchaser is responsible for carefully packing and returning the Tripod and its defective part(s) accompanied by proof of purchase to the Electrical Distributor where the Tripod Stand was purchased. All return shipping expenses are the original purchaser's responsibility.

This warranty agreement does not cover any labor costs.

UNITS OF MEASURE KEY

Order Unit: The Unit to be ordered; Order Qty: Number of pieces in each Unit; Unit Pkg: Packaging types - BG (Bag), BX (Box), BRL (Barrel); Units/Case: Unit packages contained in the Case; TL Case Qty: The total number of items in each Master Case; Min Order Qty: The smallest Unit that can be ordered; MM Req: Must order multiples of the Unit in the stated quantities; Ship Wt (Lbs): Total weight of the units per Carton

E00-721-000 (01/25)
©2025 Engineered Products Company. All Rights Reserved.