

Linear Vapor Tight Light Fixtures

Product Data Sheet

For high or low ceilings, or for wall mount applications, our domestically manufactured Vapor Tight lighting fixtures are rated for long life, energy efficiency, uniform lumen distribution, improved efficacy, and more usable lumens per watt when used in combination with LED or fluorescent lamps.

Benefits

- Shipped ready for immediate installation. 100% factory tested before shipping. No contractor callbacks!
- Fast installation saves time and reduces labor cost.
- Two (2) 1/2" trade size knockouts on each end of the fixture housing accommodate standard conduit fittings.
- Mounting Hardware is available to allow the contractor to pre-install the mounting brackets to the mounting surface without drilling into the luminaire housing.
- Meets the requirements of the 2023 National Electrical Code: Articles 410.10 (A), 410.104 (A), 547.1(A), 547.4, 547.22 and 23.
- **NEMA 4X:** Luminaires are rated for hose down and splashing water. Also rated for corrosive agents.

Features

- Available in 4- or 8-foot lengths.
- Impact resistant acrylic diffuser withstands breakage, lowering replacement and maintenance costs.
- Reinforced fixture housing is rated 5VA-F1 fiberglass and provides rigidity with no deflection.
- Choose captive Acetal (Plastic) or Stainless Steel Latches best suited for your application.

T8 LED Linear Light Fixture
(LED Lamps Not Included)

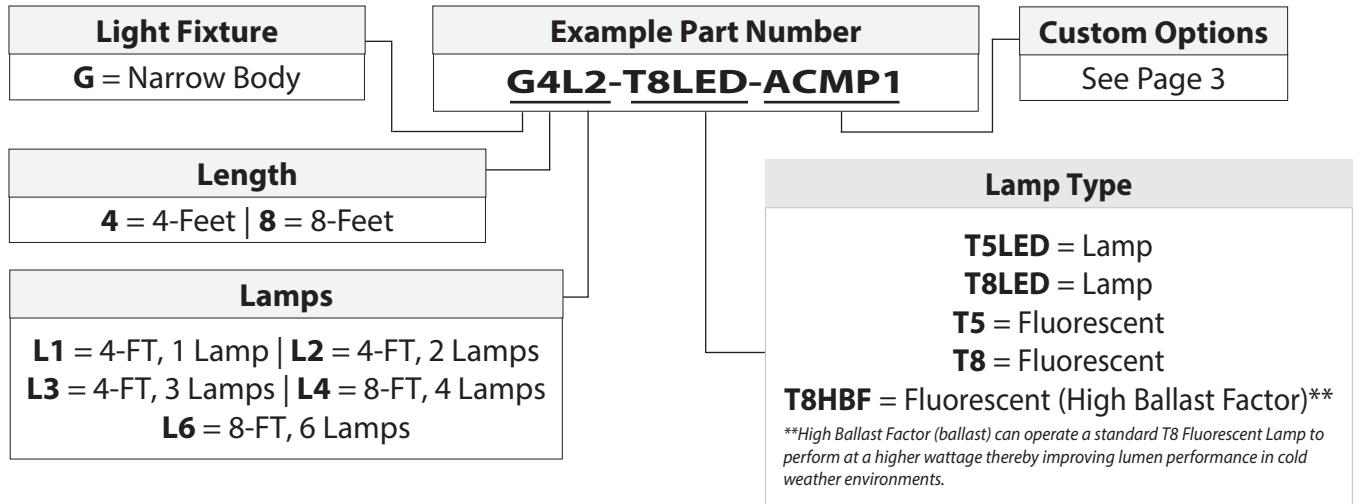


T8 Linear Light Fixture
(Fluorescent Lamps Not Included)

Specifications

Lamps (not included)	Accommodates T5 or T8 LED Lamps, or T5HO or T8 Fluorescent Lamps
Dimensional Information	See Page 4
Ship Weight (Approximate)	4-Foot: 13 lbs. 8-Foot: 21 lbs.
Applications	Dry, Damp, or Wet Environments
Operating Voltage	120 - 277V @ 60 Hz
Ballast Type/Minimum Starting Temperature (Fluorescent Lamps only)	Electronic T5 or T8 Class P Thermally Protected and CEE NEMA Premium Compliant: <ul style="list-style-type: none"> • T5HO — High Output*: -20°F (-28°C) • T8 — Standard Output Ballast: 0°F (-17°C) • T8 — High Ballast Factor (HBF)**: -20°F (-28°C) **High Ballast Factor (ballast) can operate a standard T8 Fluorescent Lamp to perform at a higher wattage thereby improving lumen performance in cold weather environments.
Diffuser	LED Lamps: Clear Ribbed Fluorescent Lamps: Frosted Ribbed
Industry Certifications	ETL Listed
Ingress Protection Rating	NEMA 4X, IP65, IP66, and IP67
Warranty	1 Year

Linear Vapor Tight Light Fixture Part Number Configurator (Does Not Include Lamps)



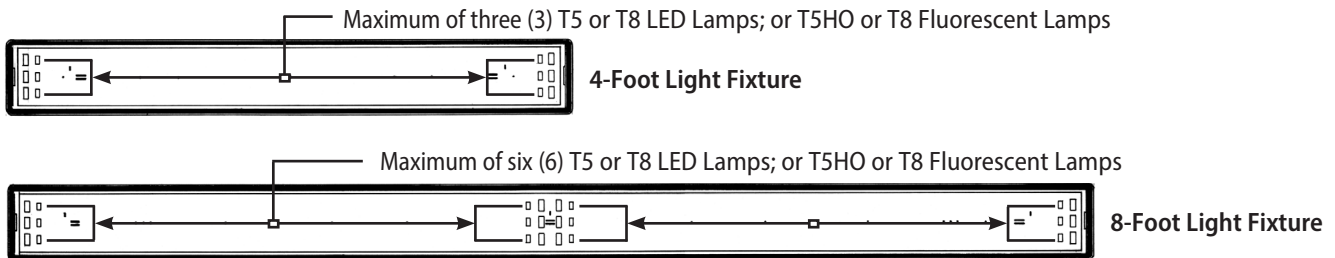
Tamper Resistant Screw Options

For Acetal Latches P/N: GFF-TPS-C

For Stainless Steel Latches P/N: GFF-TPS-S

Contact our Inside Sales Department (800.336.1976 or sales@engproducts.com) for more information.

Linear Vapor Tight Light Fixture — Lamps per Fixture (Does Not Include Lamps)



- Note:** 1. Top down view of 2-foot, 4-foot and 8-foot Fixture Gear Tray.
 2. The 8-foot Light Fixture will not accommodate 8-foot T8 LED Lamps or 8-foot T8 Fluorescent.

LINEAR VAPOR TIGHT LIGHT FIXTURES



Twist Lock Power Cord
(Options A1 and A2)



Acetal (Plastic) Latches
(Option C)



Ceiling and Wall Mount
Powder Coated Mounting
Hardware (Option M)



Ceiling and Wall Mount
Stainless Steel Mounting
Hardware (Option M1)



45-Degree
Mounting Hardware
(Option M2)



PIR Sensor
(Options R1, R2, R3)



Microwave Sensor
(Options R4, R5, R6)



Stainless Steel
Latches (Option S)



Surface Mount
Bracket
(Option Y)



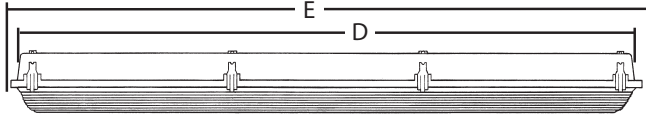
Suspension Kit
(P/N: GFF-FSSK)

Light Fixture Options

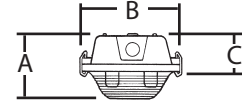
Option	Notes
A. 6-Foot Power Cord (PSS6)	Straight Plug, 13 AMP
A1. 6-Foot Twist Lock Power Cord	L5-15P, 120V
A2. 6-Foot Twist Lock Power Cord	L7-15P, 277V
C. Acetal (Plastic) Latches	<u>Not</u> recommended for the following applications: Swimming Pools, Car Washes, Food Processing (because of the cleaning chemicals), or Agriculture (because of the ammonia)
S. Stainless Steel Latches	Withstands extreme temperatures for refrigerator and freezer applications, as well as the chemicals present in car washes. Stainless steel latches are also impervious to acidic conditions making them suitable for use in livestock containment buildings.
E1. Emergency Battery Back-up Ballast	For T5HO or T8 Fluorescent Light Fixtures only. Two (2) lamps is the maximum lamp configuration when specifying a T5HO or T8 2-foot light fixture with an Emergency Battery Back-up Ballast.
L. Luminaire Disconnect	Luminaire Disconnect standard on all Linear Vapor Tight Light Fixtures.
M. Ceiling and Wall Mount Mounting Hardware	Powder Coated (Not National Sanitation Foundation approved for food service applications)
M1. Ceiling and Wall Mount Mounting Hardware	Stainless Steel (National Sanitation Foundation approved)
M2. 45-Degree Mounting Hardware	45-Degree Angle Stainless Steel (National Sanitation Foundation approved)
P. Clear Ribbed Diffuser	Standard for all Fluorescent Light Fixtures.
P1. Frosted Ribbed Diffuser	Standard for all T5 LED and T8 LED Lamped Light Fixtures. Available option for Fluorescent Lamp Light Fixtures.
Occupancy Sensors R1. Passive infrared – Dry Locations R2. Passive infrared – Dry/Cold Locations R3. Passive infrared – Wet Locations R4. Microwave – On/Off Only R5. Microwave – 0-10V Dimming, 30% R6. Microwave – 0-10V Dimming, 50%	Two Occupancy Sensors Types available: <ul style="list-style-type: none"> ■ High/Medium Bay Passive Infrared (PIR) Occupancy Sensors: Recommended for ceiling heights 15-feet or higher. PIR sensors function as an automatic lighting control in high and medium bay applications. ■ Microwave Sensors: Recommended for ceiling heights 15-feet or lower. The microwave sensor detects the slightest movement in the occupancy zone. Detection is sensed through doors, glass, or thin walls. Note: Long Lead Times.
Surface Mount Bracket Y1 (4-feet). Large and Small Bracket Y2 (4-feet). Large Bracket Y1 (8-feet). Large and Small Bracket Y2 (8-feet). Large and Small Bracket Y3 (8-feet). Large and Small Bracket (2)	Allows installation of a fixture directly under or over a junction box to surface mount to a ceiling or wall. Provides a water and bug resistant seal protecting the critical area between the junction box's supply conductors and the fixture. No adhesive sealant or gasket material is required. EPCO will pre-drill a hole in the fixture housing at designated locations to facilitate pulling the supply conductors from the junction box and into the fixture housing.
Z. Bulk Packaging	25 or 50 per skid (eliminates individual carton packaging on the job site).

Linear Vapor Tight Light Fixture — Dimensions and Weight

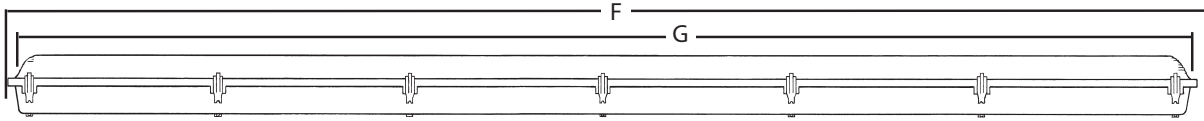
A	B	C	D	E	F	G
4.25"	6.812"	2.44"	49.7"	51.7"	100"	98.0"



Ship Weight: 4-Foot: 13 lbs.



Clear or Frosted Diffuser



Ship Weight: 8-Foot: 21 lbs.

Note: Dimensions "E" and "F" reference the 1/2" trade size knockouts on each end of the fixture.

Distributed By:

(07/24 - AK)
©2024 Engineered Products Company. All Rights Reserved.

