



ENGINEERED PRODUCTS CO.

5401 Smetana Drive • Minnetonka, MN 55343
P 952.767.8780 / 800.336.1976 • F 952.767.8786 / 800.336.2801

Visit our Web Site at engproducts.com

LIGHTING PRODUCTS

PRO SERIES GU24 Utility Light Fixture



Shown with optional Safety Cage

The ProSeries GU24 Utility Light is primarily intended for Agricultural applications - livestock containment buildings.

Other applications that require a versatile and modular UL listed, "wet" location lighting fixture where washdown is required includes but is not limited to:

- Food processing facilities
- Commercial kitchens
- Industrial facilities
- Pedestrian and road tunnels
- Laundries
- Saunas
- Elevator shafts
- Storage buildings
- Car washes
- Refrigerators and Freezers

How Does the ProSeries™ GU24 Utility Light Save Money and Energy?

The Building Owner can take advantage of:

- Rebates from their local electrical utility (where applicable).
- The Financial opportunity to receive an EPAct Tax* Deduction of \$0.60 cents per square foot for installing energy efficient commercial lighting.
- Upgrading from incandescent lighting to improved fluorescent lighting technologies where the energy savings is substantial.

Benefits

Installation of the ProSeries™ GU24 Utility Light prevents inefficient incandescent lamps from being used to maximize the value of energy efficient lighting.

- Provides the Building Owner and Maintenance Contractor with reliable, durable, maintenance free performance!
- Labor savings! Fast installation saves time and reduces labor cost.
- Installation of the ProSeries™ GU24 Utility Light can provide annual savings of approximately \$30 or more in electricity costs (see chart on page 4).
- The GU24 CFL produces approximately 75% less heat (compared to incandescent lamps) further reducing energy costs associated with commercial cooling.
- All ProSeries GU24 Utility Light orders are shipped on time!



* EPAct 2005 - the Commercial Building Tax Deduction Program. The Energy Efficient Commercial Buildings Deduction is detailed in Section 1331 of the 2005 Energy Policy Act. This deduction is a special financial incentive for building owners to adopt the most energy-efficient lighting strategies. In addition, this deduction offers an accelerated tax deduction equal to the complete cost of installing "energy-efficient lighting" in a commercial building, capped at \$.60/sq.ft.

Features

- UL Listed. File #E182610.
- Suitable for wet locations where wash-down is required.
- UV resistant, high impact, corrosion resistant construction.
- Minimal hardware is required to assemble or mount.
- Integrated Octi-Junction Box™ Cover:
 - “Captive” set screw and and posi-lock detent expedites fixture installation.
- 18 cubic inch Octi-Junction Box:
 - Meets the 2008 National Electrical Code box fill requirements; Article 314.16 (A).
 - Provides extra capacity for an additional power circuit.
 - Easy to install Octi-Junction Box uses eight (8) mounting brackets that are “in-line” with the 1/2” and 3/4” trade size knockouts; eliminates a 2” x 4” stub-in by the installer.
- Optional impact resistant quarter-turn safety cage attaches to the Octi-Junction Box without tools.
- Appropriate for use with all non-metallic wiring systems.
- Rated for use with circuit conductors up to 125°C.



What is a GU24 Socket Base and its relationship to the ProSeries GU24 Utility Light?

The GU24 socket base was designed as an economical solution intended to replace the Edison socket base thereby providing a complete energy efficient lighting fixture in compliance with the 2005 EAct energy efficiency regulations. The GU24 socket base is not backward compatible (to the traditional Edison socket base) and can only be used with GU24 Compact Fluorescent Lamps (CFLs).



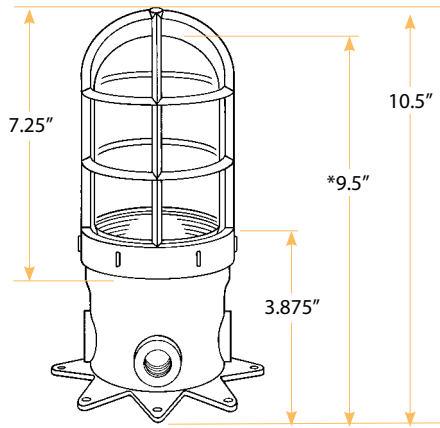
Engineered Products Company’s ProSeries GU24 Utility Light makes it an excellent choice for new construction or retrofit from an existing building’s lighting system where the Building Owner or Facility Manager intends to use efficient lighting that may qualify for rebates from their local Utility. The ProSeries GU24 Utility Light Fixture allows Building Owners to:

- Receive EAct tax credits for replacement, retrofit or new construction of lighting systems.
- Adopt new energy savings lighting technology to lower overall infrastructure cost.
- Earn rebates from the local Utility or Rural Electric Co-op (where applicable).

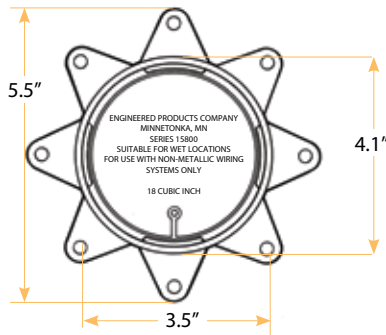
In some instances the lighting incentive application rebate for existing buildings can be as much as \$20.00 per fixture when directly replacing outdated incandescent fixtures with the new ProSeries GU24 Utility Light Fixtures. In fact, the tax deduction allowance when the ProSeries GU24 Utility Light Fixture is designed into a new or retrofitted buildings is approximately \$0.60 per square foot.

The ProSeries GU24 Utility Light is primarily intended for use in Agricultural applications, especially animal confinement areas. Other applications include maintenance areas in commercial buildings, retail stores, schools, hospitals and hotels. The inherent qualities of the ProSeries GU24 Utility Light is detailed in the table shown below:

Feature	Benefit	Advantage
• UL Listed	• Suitable for use in wet locations	• Can be used for a variety of lighting applications
• Fixture material - Polybutylene Terephthalate (PBT)	• UV Resistant, maintenance free	• Durable, long lasting corrosion resistant construction
• Eight (8) Mounting Feet	• Eliminates 2” by 4” stub-in by the installer	• Brackets are in-line with the 1/2” and 3/4” trade size knockouts
• 18 Cubic inch junction box	• Provides extra capacity for an additional power circuit	• Facilitates the installation of lighting, fan or other equipment circuits
• Minimal hardware required for assembly	• Fast installation	• Lowers labor costs
• Aluminum lamp socket base	• Lamp socket will not rust or corrode under harsh conditions	• Excessive moisture will not cause pre-mature fixture deterioration
• Quarter-turn safety cage	• Installs quickly without tools	• Protects the fixture globe and lamp
• Engineered packaging	• Ships ready for immediate multiple job site installations or for a single unit installation	• Single or bulk packaging



* Measured without the "optional" Safety Cage.



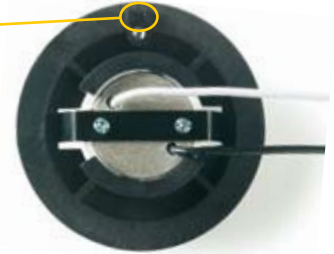
The Octi-Junction Box provides additional capacity for an additional power circuit - meets the box fill requirements as referenced in the 2008 National Electrical Code, Article 314.16 (A)

18 cubic inch Octi-Junction Box uses eight (8) mounting brackets that are "in-line" knockouts; eliminates a 2" x 4" stub-in

Single Captive Stainless Steel Set Screw and Posi-detent Tab on Octi-Junction Box Cover expedites fixture installation



Posi-detent Tab and (bottom view)



"Captive" stainless steel set screw secures the Octi-Junction Box Cover to the Octi-Box Junction Box to expedite fixture installation

Corrosion resistant aluminum lamp socket base

1/2" and 3/4" trade size knockouts



ProSERIES GU24 UTILITY LIGHT

CATALOG No.	UPC No.	DESCRIPTION	BOX	CASE	CARTON SHIP WT. (LB.)
15865	15865	ProSeries GU24 Utility Light Fixture - with Standard Glass Globe	1	12	38
15880	15880	ProSeries GU24 Utility Light Fixture - with Tempered Glass Globe	1	12	38
15867	15867	ProSeries GU24 Utility Light Fixture - with Standard Glass Globe and Safety Cage	1	12	39
15885	15885	ProSeries GU24 Utility Light Fixture - with Tempered Glass Globe and Safety Cage	1	12	39
15870*	15870	ProSeries GU24 Utility Light Fixture - with Acrylic Prismatic Globe	1	12	26
15873*	15873	ProSeries GU24 Utility Light Fixture - with Polycarbonate Clear Globe	1	12	26
15875*	15875	ProSeries GU24 Utility Light Fixture - with Acrylic Prismatic Globe (Tall)	1	12	26

* Note: Optional Safety Cage will not fit this Light Fixture!

ACCESSORIES

CATALOG No.	UPC No.	DESCRIPTION	BOX	CASE	CARTON SHIP WT. (LB.)
15812	15812	Safety Cage - 1/4 turn (will not fit on part numbers 15870, 15873 or 15875)	1	12	14
15890	15890	Octi-Junction Box Cover with GU24 Socket Base	12	n/a	12
15015	15015	Glass Globe	n/a	32	34
15016	15016	Tempered Glass Globe	n/a	32	34
15020	15020	Polycarbonate Clear Globe	n/a	12	34
15025	15025	Acrylic Prismatic Globe	n/a	12	5
15670	15670	GU24 23 Watt Spiral Fluorescent Lamp - (Self-Ballasted)	n/a	50	8
15035	15035	Non-Metallic UF Connectors - 1/2", accommodates 14/2-12/2 Romex® Cable	12/pkg	n/a	1
15040	15040	Non-Metallic UF Connectors - 3/4", accommodates 14/3-12/3 Romex Cable	12/pkg	n/a	1

Incandescent Lamps vs. Cost Effective Energy Saving GU24 Compact Fluorescent Lamp

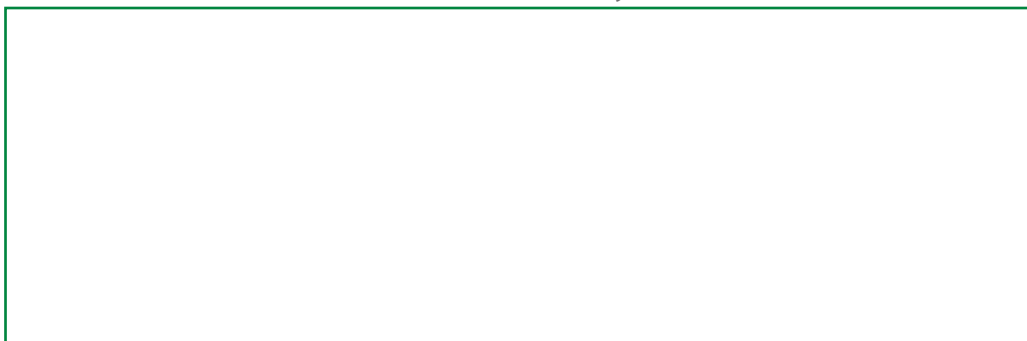
Calculate Your Annual Energy Savings	Incandescent Lamp	Incandescent Lamp	GU24 Compact Fluorescent Lamp
Lamp Wattage	60	100	23
Estimated Daily Usage (in hours)	24	24	24
KWh* of Electricity used per Day	1.44 KWh	2.4 KWh	0.552 KWh
Days per Year	365	365	365
Annual KWh of Electricity Used	525	870	201
Annual Electricity Cost (@ \$0.07 per KWh per day)	\$36.79	\$61.40	\$14.10
Hours of Operation per Year ¹	8,760	8,760	8,760
Average Lamp Life (in hours) ²	1500	1500	10,000
Total Number of Lamps Needed (per Year)	5.84	5.84	.876
Lamp Cost ³ (Single Unit Trade Price)	\$.78	\$.78	\$6.07
Total Costs of Lamps (per Year)	\$4.56	\$4.56	\$5.32
Annual Electricity Cost	\$36.79	\$61.40	\$14.10
Total Costs of Lamps (per Year)	\$4.56	\$4.56	\$6.07
Annual Electricity Cost + Lamp Cost	\$41.35	\$65.96	\$20.17
Annual Energy Savings per Year ⁴	\$21.18	\$45.79	n/a

* KWh - Kilowatt hours

Notes:

1. 8,760 = 24 hours per day x 365 days per year.
2. Estimated "rated" average lamp hours. Actual lamp hours or operation will vary by manufacturer.
3. The average single unit trade price. The actual price of the lamp will vary by manufacturer.
4. Annual Energy Savings per Year is determined by subtracting the Annual Electrical Cost + Lamp Cost of the GU24 Compact Fluorescent Lamp from the Annual Electricity Cost + Lamp Cost of either the 60 or 100 Watt Incandescent Lamp.

Distributed By:



Engineered Products Company • 5401 Smetana Drive • Minnetonka, MN 55343
P 952.767.8780 / 800.336.1976 • F 952.767.8786 / 800.336.2801