



ENGINEERED PRODUCTS CO.

TEMPORARY LIGHTING

5401 Smetana Drive • Minnetonka, MN 55343
P 952.767.8780 / 800.336.1976 • F 952. 767.8786 / 800.336.2801

Visit our Web Site at engproducts.com

TIGER
Pulse-Start Technology
RETHINKTM

Pre-wired for 120V operation. Multi-tap Ballast can be easily re-configured for 208V, 240V or 277V operation.

Durable heavy-duty steel housing with long lasting power-coated finish.

Color-coded mogul-base. E39 single piece "spring-loaded" porcelain screw shell socket is easily identified as Type-0 Metal Halide Lamp.

The TIGER 400 and TIGERcub 175 HID Lighting Fixtures include:

- TIGER Lamp: Type-0 400 Watt Metal Halide Lamp, clear. Lumen output - 38,000.
- TIGERcub Lamp: Type-0 175 Watt Metal Halide Lamp, clear. Lumen output - 16,600.
- Heavy-duty 11 AWG welded steel Safety Cage and Lamp Guard.
- Three (3) foot 18/3 SJTW power cord with NEMA 5-15 AMP plug.

Self-locking metal hook. Pre-installed "spring-lock" hook hangs in seconds without tools.

Two (2) .5" (1/2") knockouts for optional conduit access or to "daisy chain" multiple HID fixtures.

Convenience handle for easy carrying and installation.

Bayonett-style mount fully secures the Safety Cage to the ballast housing, not to the lamp socket.

The Safety Cage is easy to install, eliminates any stress to the lamp socket during transport and provides a stable platform when pre-positioning the lighting fixture for hanging.

UL E

Benefits

- Reliable, durable, maintenance free performance!
- A cost effective solution to incandescent string lighting.
- Compact size, lightweight and balanced construction. Easy to carry and install.
- TIGER and TIGERcub HID fixtures and lamp combinations increase light levels up to 60% over traditional probe start fixtures while using the same number of fixture locations and wiring.
- Improved efficacy (up to 45% more lumens per watt).
- Improved lumen maintenance (up to 25%).
- Reduced color shift - more consistent lamp-to-lamp color.
- Longer lamp life - up to 30% improvement over traditional probe start fixtures.
 - 15,000+ hours for the TIGER 400 HID.
 - 12,000+ hours for the TIGERcub 175 HID.
- Faster warm-up time (2 minutes vs. 4 minutes).
- Faster "hot" restrike (3 - 4 minutes vs. 15 - 20 minutes).
- Improved cold weather starting performance.

ⓔ These fixtures comply with the 2007 Energy Independence and Security Act (ESIA) that became effective January 1, 2009. The intent of this legislation focuses on improving the efficiency of metal halide fixtures - as well as moving the United States toward reducing energy consumption and energy independence.

During the construction phase, a skeletal framework is used which forms an interior subspace called a “bay,” which in turn marks the space as either “high bay” or “low bay”. Engineered Products Company references high-bay spaces as greater than 25 feet off the floor and low bay spaces as less than 25 feet off the floor.†

Typical High Bay Applications for TIGER 400 HID™

- Construction Sites
- Industrial Facilities
- Warehouses
- Arena Lighting
- Manufacturing Facilities
- Large Retail Centers
- Big Box Stores
- Discount Warehouses

Typical Low Bay Applications for TIGERcub 175 HID™

- Parking Garages
- Grocery Stores
- Retail Stores
- Mezzanine Areas
- Outdoor Areas
- Schools and University Gymnasiums

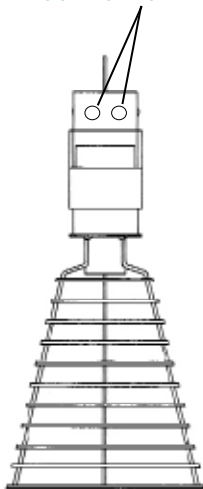
Type-0 Metal Halide Lamp Specifications

	COLOR TEMPERATURE	LUMENS OUTPUT	AVERAGE RATED LIFE (IN HOURS)	COLOR RENDERING INDEX	VOLTAGE	CURRENT (IN AMPS)
TIGER 400 HID	4000K	38,000	15,000	60	120	3.25
TIGERcub 175 HID	4000K	16,600	12,000	60	120	1.5

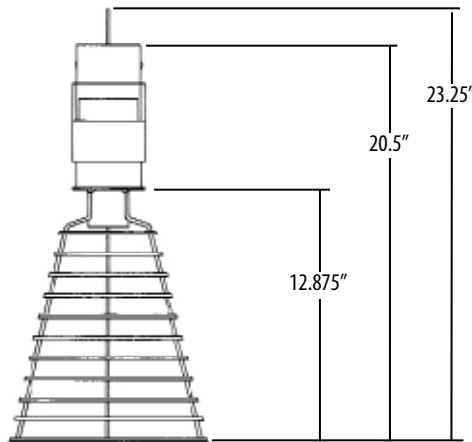
CATALOG No.	UPC No.	DESCRIPTION	Standard Pkg.	Standard Pkg. Ship Wt. (Lb.)
15702	15702	TIGER 400 HID Temporary Lighting Fixture. Includes 400 Watt Type-0 Metal Halide Lamp, Safety Cage and Lamp Guard	1/Carton	22
15711	15711	TIGERcub 175 HID Lighting Fixture. Includes 175 Watt Type-0 Metal Halide Lamp, Safety Cage and Lamp Guard	1/Carton	22
15752	15752	HID Type-0 400 Watt Metal Halide Lamp	1/Carton	2
15757	15757	HID Type-0 175 Watt Metal Halide Lamp	1/Carton	2
15740	15740	TIGER and TIGERcub Replacement Safety Cage and Lamp Guard - Bayonette Mount	5/Carton	9
15760*	15760	Universal Replacement HID Safety Cage and Lamp Guard*	5/Carton	9

* Fits the majority of manufacturer’s HID Type-0 and Type-S Temporary Lighting Fixtures.

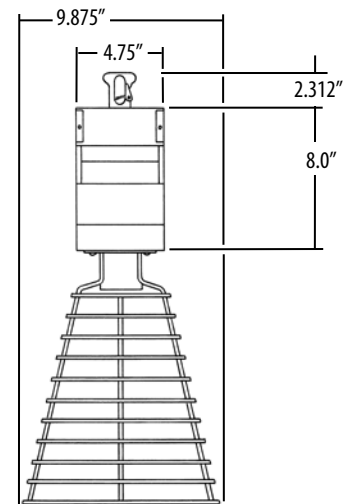
Two (2) .5" (1/2") Knockouts



Left Side End View



Front View



Right Side End View

Product Warranty - Engineered Products Company warrants that the TIGER and TIGERcub HID Temporary Lights are furnished free from defects in material and workmanship for 1 year.

Engineered Products Company • 5401 Smetana Drive • Minnetonka, MN 55343 • P 800.336.1976 • F 800.336.2801 • engproducts.com

† The Illuminating Engineering Society of North America (IESNA), the authority in lighting, categorizes spaces as either high-bay (greater than 25 feet) or low-bay (less than 25 feet). © 2009. Engineered Products Company. TIGER 400 HID and TIGERcub 175 HID are trademarks of Engineered Products Company. All Rights Reserved. E02-040-001 C1 (08/09 - SP)