



ENGINEERED PRODUCTS CO.

5401 Smetana Drive • Minnetonka, MN 55343
P 952.767.8780 / 800.336.1976 • F 952.767.8786 / 800.336.2801
Visit our Web Site at engproducts.com

LIGHTING PRODUCTS

TEMPORARY LIGHTING

Product Data Sheet

Pulse-Start Temporary HID Lighting



Pre-wired for 120V operation. Multi-tap Ballast can be easily re-configured for 208V, 240V, or 277V operation.

Self-locking metal hook. Pre-installed "spring-lock" hook hangs in seconds without tools.

Vented Ballast Housing for cooler operating temperatures.

Two (2) .75" knockouts for optional conduit access or to "daisy chain" multiple HID fixtures.

Convenience handle for easy carrying and installation.

Durable heavy-duty steel housing with durable, long lasting power-coated finish.

Color-coded mogul-base. E39 single piece "spring-loaded" porcelain screw shell socket is easily identified as Type-O Metal Halide Lamp.

Bayonett-style mount secures the safety cage to the ballast housing, not to the lamp socket. Provides a stable platform for the safety cage and eliminates any stress to the lamp socket during transport. Easy to install and remove.

Corrosion-resistant Safety Cage is "Chrome-plated" 11 AWG welded steel.



The TIGER 400 and TIGERcub 175 HID™ Light Fixtures Include:

- TIGER Lamp: Type-O 400 Watt Metal Halide Lamp, clear. Lumen output - 38,000.
- TIGERcub Lamp: Type-O 175 Watt Metal Halide Lamp, clear. Lumen output - 16,600.
- Chrome-plated heavy-duty 11 AWG welded steel Safety Cage and Lamp Guard.
- Three (3) foot 18/3 SJTW power cord with NEMA 5-15 AMP plug.

ⓔ These fixtures comply with the 2007 Energy Independence and Security Act (ESIA) that became effective January 1, 2009. The intent of this legislation focuses on improving the efficiency of metal halide fixtures - as well as moving the United States toward reducing energy consumption and energy independence.

Pulse-Start HID Temporary Lighting...continued



Benefits:

- Reliable, durable, maintenance free performance!
- A cost effective solution to incandescent string lighting.
- Compact size, lightweight and balanced construction. Easy to carry and install.
- TIGER and TIGERCub HID fixtures and lamp combinations increase light levels up to 60% over traditional probe start fixtures while using the same number of fixture locations and wiring.
- Improved efficacy (up to 45% more lumens per watt).
- Improved lumen maintenance (up to 25%).
- Reduced color shift - more consistent lamp-to-lamp color.
- Longer lamp life - up to 30% improvement over traditional probe start fixtures.
 - 15,000+ hours for the TIGER 400 HID.
 - 12,000+ hours for the TIGERCub 175 HID.
- Faster warm-up time (2 minutes vs. 4 minutes).
- Faster "hot" restrike (3 - 4 minutes vs. 15 - 20 minutes).
- Improved cold weather starting performance.

During the construction phase, a skeletal framework is used which forms an interior subspace called a "bay," which in turn marks the space as either "high-bay" or "low-bay." Engineered Products Company references high-bay spaces as greater than 25 feet off the floor and low-bay spaces as less than 25 feet off the floor. †

Typical High Bay Applications for TIGER 400 HID:

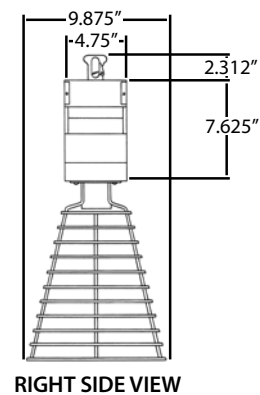
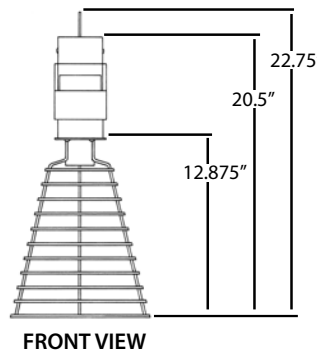
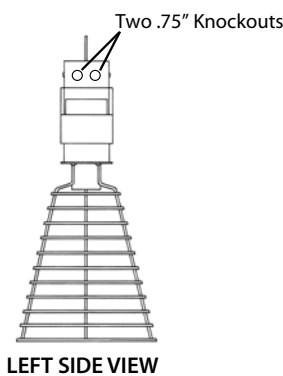
- Construction Sites
- Industrial Facilities
- Warehouses
- Arena Lighting
- Manufacturing Facilities
- Large Retail Centers
- Big Box Stores
- Discount Warehouses

Typical Low Bay Applications for TIGERCub 175 HID:

- Parking Garages
- Grocery Stores
- Retail Stores
- Mezzanine Areas
- Outdoor Areas
- Schools and University Gymnasiums

Type-O Metal Halide Lamp Specifications

	COLOR TEMPERATURE	LUMENS OUTPUT	AVERAGE RATED LIFE (IN HOURS)	COLOR RENDERING INDEX	VOLTAGE	CURRENT (IN AMPS)
TIGER 400 HID	4000K	38,000	15,000	60	120	3.25
TIGERCub 175 HID	4000K	16,600	12,000	60	120	1.5



Catalog Number	UPC Number	Description	Standard Package	Standard Package Ship Wt. (Lb.)
15702	15702	TIGER 400 HID Temporary Light Fixture: Includes 400-Watt Type-O Metal Halide Lamp with Safety Cage and Lamp Safety Guard	1/Carton	22
15711	15711	TIGERCub 175 HID Temporary Light Fixture: Includes 175-Watt Type-O Metal Halide Lamp with Safety Cage and Lamp Safety Guard	1/Carton	22
15752	15752	HID Type-O 400 Watt Metal Halide Lamp	1/Carton	2
15757	15757	HID Type-O 175 Watt Metal Halide Lamp	1/Carton	2
15740	15740	TIGER and TIGERCub Replacement Safety Cage and Lamp Guard: Bayonnette Mount	5/Carton	9
15760*	15760	Universal Replacement HID Safety Cage and Lamp Guard*	5/Carton	9

† The Illuminating Engineering Society of North America (IESNA), the authority in lighting, categorizes spaces as either high-bay (greater than 25 feet) or low-bay (less than 25 feet).
 * Fits the majority of manufacturer's HID Type-O and Type-S Temporary Light Fixtures.

Product Warranty: Engineered Products Company warrants the TIGER and TIGERCub HID Temporary Lights are furnished free from defects in material and workmanship for 1 year.

Deluxe and Contractor Grade CordLights™

DELUXE CORDLIGHTS are intended for severe environments and are impervious to dust, dirt, chemical vapors, salt spray and other corrosive elements. Constructed of heavy-duty 14/2, 14/3 or 12/3 SJTW Round Cord with a 75°C temperature rating, Deluxe CordLights are UL listed and complies with Code Standard 1088 for Temporary Lighting Strings, as well as the 2008 NEC Article 590.4 (B) and 590.4 (C) regulations and meets all OSHA Standards. Available only in 100-Foot Lengths.



Contractor Benefits:

- UL Listed. File Number: E190858. Meets OSHA Standards.
- Meets the requirements of the 2008 NEC Code, Article 590.4 (B) and 590.4 (C).
- Suitable for indoor and outdoor use.
- Weather-resistant lamp sockets feature rigid-mounted eyelets for hooks or wire to expedite and simplify hanging.
- Unique open and secure closure clasp on the heavy-duty bulb cage easily facilitates bulb changes.
- A patented detent “snap-off, snap-on” fitting on the lamp socket enables quick replacement if the safety cage becomes damaged.
- Rated for Type A23 bulbs only, 150 Watt rating, maximum.
- U.S. Patent Number: D.439,697.

Typical Applications for Temporary CordLights:

- Construction Sites
- Parking Lots
- Walkways
- Festivals
- Circus Tents
- Christmas Tree Lots

Catalog Number	UPC Number	Description	Standard Package	Standard Package Ship Wt. (Lb.)
16010	16010	Deluxe CordLight: Heavy-duty 14/2 SJTW Round Cord, 100' Length, 10-Foot Centers	1/Pkg.	12
16300	16300	Deluxe CordLight: Heavy-duty 14/3 SJTW Round Cord, 100' Length, 10-Foot Centers (without Plug)	1/Pkg.	14
16301	16301	Deluxe CordLight: Heavy-duty 14/3 SJTW Round Cord, 100' Length, 10-Foot Centers (with Molded Plug)	1/Pkg.	14
16350	16350	Deluxe CordLight: Heavy-duty 12/3 SJTW Round Cord, 100' Length, 10-Foot Centers (without Plug)	1/Pkg.	17
16353	16353	Deluxe CordLight: Heavy-duty 12/3 SJTW Round Cord, 100' Length, 10-Foot Centers (with Molded Plug)	1/Pkg.	17
16100	16100	Safety Cage: Replacement	10/Carton	1

CONTRACTOR GRADE CORDLIGHTS are designed for medium-duty applications and is ideal for budget-minded contractors who need quality temporary lighting at an affordable price. The Contractor Grade CordLights are constructed of heavy-duty 14/2 Flat Cord and is available in 50, 100 and 200-Foot Lengths.



Catalog Number	UPC Number	Description	Standard Package	Standard Package Ship Wt. (Lb.)
16030	16030	Contractor Grade CordLight: Heavy-duty 14/2 Flat Cord, 100' Length, 10 Sockets on 10 Foot Centers	1/Pkg.	7
16222	16222	Contractor Grade CordLight Kit: Includes 10 Lamp Sockets, 10 Safety Cages	1/Pkg.	2
16110	16110	Safety Cage: Replacement	10/Carton	1

Insulation Piercing Lamp Socket

Contractor Benefits:

- Suitable for indoor and outdoor use.
- Use to repair Contractor or Economy CordLights signage, appliances or other electrical equipment.
- Integrally designed terminals and contacts provide a superior electrical connection.
- Use with 12 or 14 AWG THHN insulated stranded wire.
- No cutting, wire stripping, wire nuts or soldering required.
- Rated for Type A23 bulbs only, 150 Watt rating, maximum.



Catalog Number	UPC Number	Description	Standard Package	Standard Package Ship Wt. (Lb.)
16022	16022	Insulation Piercing Lamp Socket	5/Pkg.	1
16110	16110	Safety Cage	10/Carton	1

Pigtail Lamp Socket

Contractor Benefits:

- A patented detent "snap-off, snap-on" fitting on the lamp socket enables quick replacement if the safety cage becomes damaged. Use EPCO Safety Cage P/N: 16100.
- Suitable for indoor or outdoor use.
- 6" Leads, pre-stripped 5/8" (.625").
- Rated for Type A23 bulbs only, 150 Watt rating, maximum.



Catalog Number	UPC Number	Description	Standard Package	Standard Package Ship Wt. (Lb.)
16023	16023	Pigtail Lamp Socket: with 6 Inch Leads	5/Pkg.	1
16100	16100	Safety Cage	10/Carton	1

Distributed By:

Engineered Products Company • 5401 Smetana Drive • Minnetonka, MN 55343
 P 952.767.8780 / 800.336.1976 • F 952.767.8786 / 800.336.2801 • engproducts.com