



# ENGINEERED PRODUCTS CO.

LIGHTING  
PRODUCTS

5401 Smetana Drive • Minnetonka, MN 55343  
952.767.8780 / 800.336.1976 • Fax 952.767.8786 / 800.336.2801

Our Web Site at [engproducts.com](http://engproducts.com)

PROSERIES™  
Utility Light Fixture



Shown with optional Safety Cage

## Typical Applications

- Food processing facilities
- Commercial kitchens
- Industrial facilities
- Livestock containment buildings
- Laundries
- Saunas
- Pedestrian and road tunnels
- Elevator shafts
- Storage buildings
- Car washes
- Refrigerators/Freezers
- And more ...



- UL Listed. File #E182610.
- Appropriate for use with all non-metallic wiring systems.
- Rated for use with circuit conductors up to 150°C.

## Benefits

- EPCO's ProSeries™ Utility Light provides the Contractor and Facility Manager with reliable, durable, maintenance free performance!
- Labor savings! Fast installation saves time and reduces labor cost.
- Versatile light fixture is suitable for numerous applications.
- 99% of all orders are shipped on time!

## Features

- Suitable for wet locations where high-pressure wash-down is required.
- UV resistant, high impact, "corrosion resistant" construction.
- Integrated Octi-Junction Box™ Cover:
  - Porcelain encased "corrosion resistant" nickel-plated brass screw shell.
  - Screw shell is recessed to accommodate high profile compact fluorescent or incandescent lamps. Rated for a 150 Watt incandescent lamp, maximum.
  - "Captive" set screw and posi-stop detent expedites fixture installation.
- 18 cubic inch Octi-Junction Box:
  - Meets the 2008 National Electrical Code box fill requirements; Article 314.16 (A).
  - Provides extra capacity for an additional power circuit.
  - Easy to install Octi-Junction Box uses eight (8) mounting brackets that are "in-line" with the 1/2" and 3/4" trade size knockouts; eliminates a 2" x 4" stub-in by the installer.
- Optional impact resistant quarter-turn safety cage attaches to the Octi-Junction Box without tools.
- The 18 cubic inch Octi-Junction Box and the "optional" Safety Cage are made from Polybutylene Terephthalate (PBT) material.

18 cubic inch Octi-Junction Box uses eight (8) mounting brackets that are "in-line" knockouts; eliminates a 2" x 4" stub-in.

Meets the box fill requirements as referenced in the 2008 National Electrical Code, Article 314.16 (A). The Octi-Junction Box provides additional capacity for an extra power circuit.

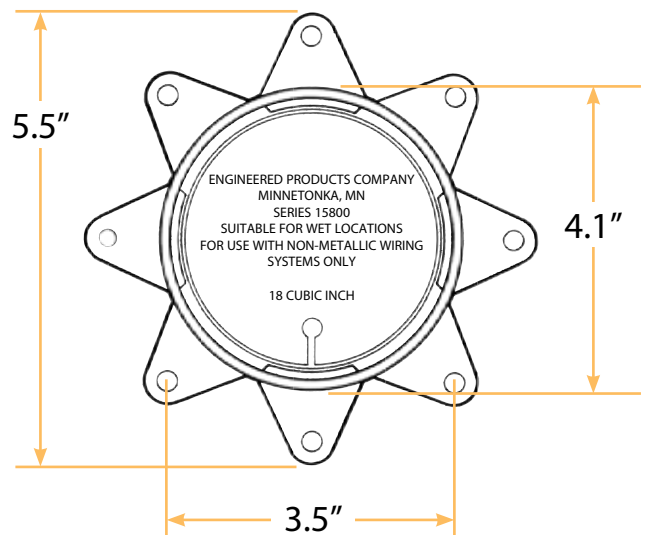
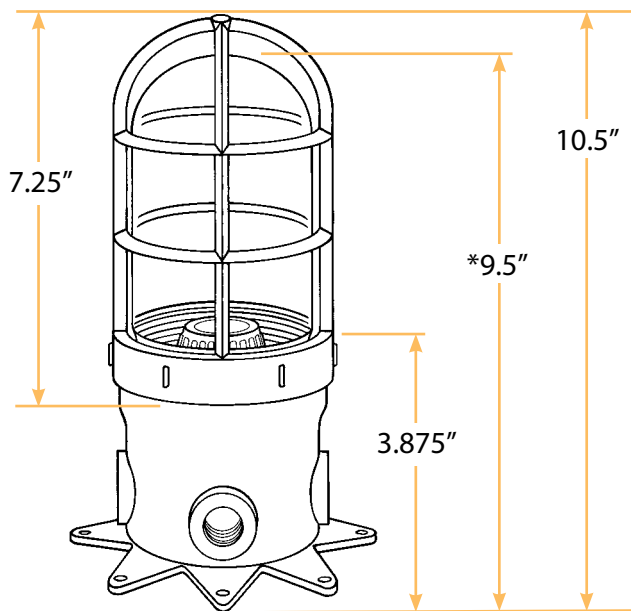
Captive stainless steel set screw and posi-stop detent tab on Octi-Junction Box Cover expedites fixture installation.

Recessed Octi-Junction Box Cover with integral nickel-plated brass screw shell accommodates high profile compact fluorescent or incandescent lamps.

Captive stainless steel set screw secures the Octi-Junction Box Cover to the Octi-Box - expedites fixture installation.

Porcelain "corrosion resistant" nickel-plated brass screw shell.

1/2" and 3/4" trade size knockouts.



\* Measured without the "optional" Safety Cage.

## ProSeries Utility Light

CATALOG No.	UPC No.	DESCRIPTION	STANDARD PACKAGE	MASTER CARTON	MASTER CARTON SHIP WT. (LBS.)
15800	15800	ProSeries Utility Light Fixture: Includes a Standard Glass Globe. Rated for a 150 Watt Incandescent Lamp, maximum.	1/Carton	12/Carton	38
15800B	15850	ProSeries Utility Light Fixture: Includes a Standard Glass Globe. Rated for a 150 Watt Incandescent Lamp, maximum.	n/a	12/Carton	35
15801	15801	ProSeries Utility Light Fixture: Includes a Standard Glass Globe and Safety Cage. Rated for a 150 Watt Incandescent Lamp, maximum.	1/Carton	12/Carton	41
15801B	15851	ProSeries Utility Light Fixture: Includes a Standard Glass Globe and Safety Cage. Rated for a 150 Watt Incandescent Lamp, maximum.	n/a	12/Carton	38
15805*	15805	ProSeries Utility Light Fixture: Includes an Acrylic Prismatic Globe. Rated for a 60 Watt Incandescent Lamp, maximum.	1/Carton	12/Carton	26
15805B*	15855	ProSeries Utility Light Fixture: Includes an Acrylic Prismatic Globe. Rated for a 60 Watt Incandescent Lamp, maximum.	n/a	12/Carton	23
15806*	15806	ProSeries Utility Light Fixture: Includes a Polycarbonate Clear Globe. Rated for a 60 Watt Incandescent Lamp, maximum.	1/Carton	12/Carton	26
15806B*	15856	ProSeries Utility Light Fixture: Includes a Polycarbonate Clear Globe. Rated for a 60 Watt Incandescent Lamp, maximum.	n/a	12/Carton	23
15807*	15807	ProSeries Utility Light Fixture: Includes an Acrylic Prismatic Globe (Tall). Rated for a 60 Watt Incandescent Lamp, maximum.	1/Carton	12/Carton	26
15807B*	15857	ProSeries Utility Light Fixture: Includes an Acrylic Prismatic Globe (Tall). Rated for a 60 Watt Incandescent Lamp, maximum.	n/a	12/Carton	26
15810	15810	ProSeries Utility Light Fixture: Includes a Tempered Glass Globe. Rated for a 150 Watt Incandescent Lamp, maximum.	1/Carton	12/Carton	38
15810B	15860	ProSeries Utility Light Fixture: Includes a Tempered Glass Globe. Rated for a 150 Watt Incandescent Lamp, maximum.	n/a	12/Carton	35
15811	15811	ProSeries Utility Light Fixture: Includes a Tempered Glass Globe and Safety Cage. Rated for a 150 Watt Incandescent Lamp, maximum.	1/Carton	12/Carton	39
15811B	15857	ProSeries Utility Light Fixture: Includes a Tempered Glass Globe and Safety Cage. Rated for a 150 Watt Incandescent Lamp, maximum.	n/a	12/Carton	35
15812	15812	Safety Cage - 1/4 Turn Attachment	1/Carton	12/Carton	6
15815	15815	Octi-Junction Box™ Cover with Porcelain Lamp Holder	12/Carton	n/a	4

\* Note: Optional Safety Cage, Part Number 15812 will not fit Part Numbers 15805, 15805B, 15806, 15806B, 15807 or 15807B.

## Non-Metallic UF Connectors

- Compression type specifically designed for use with 12 or 14 Gauge Romex® cable.
- Low profile design to fit the new smaller UF Cables as well as standard sizes.



CATALOG No.	UPC No.	DESCRIPTION	STANDARD PACKAGE	STANDARD PKG. SHIP WT. (LBS.)
15035	15035	Non-Metallic UF Connector 1/2": Accommodates 14/2 and 12/2	12/Pkg.	1
15040	15040	Non-Metallic UF Connector 3/4": Accommodates 14/3 and 10/2	12/Pkg.	1

## STANDARD NON-METALLIC JUNCTION BOXES

- UL Listed. File Number: E182992.
- “Corrosion resistant.”
- Suitable for use in wet or damp locations.
- High impact, compression molded phenolic plastic rated to 150°C.



12 Cubic Inch



19 Cubic Inch



Round Junction Box  
Cover and Gasket



16 Cubic Inch



Single-Gang Junction  
Box Cover and Gasket

CATALOG No.	UPC No.	DESCRIPTION	STANDARD PACKAGE	MASTER CARTON	SHIPPING WEIGHT (LBS.)
15045	15045	12 Cubic Inch Box: Includes 1/2" and 3/4" Knockout Combo	1/Carton	12/Carton	6
15046	15046	12 Cubic Inch Junction Box: Includes 1/2" Knockouts	1/Carton	12/Carton	6
15047	15047	12 Cubic Inch Junction Box: Includes 3/4" Knockouts	1/Carton	12/Carton	6
15049	15049	19 Cubic Inch Junction Box: Includes 3/4" Knockouts	1/Carton	12/Carton	6
15070	15070	16 Cubic Inch Single-Gang FS Type Junction Box: Includes 1/2" Knockouts	1/Carton	12/Carton	6
15071	15071	16 Cubic Inch Single-Gang FS Type Junction Box: Includes 3/4" Knockouts	1/Carton	12/Carton	6
15075	15075	Single-Gang Junction Box Cover and Gasket	1/Pkg.	12/Pkgs.	2
15690	15690	Universal Mounting Bracket	1/Pkg.	12/Pkgs.	6
15905	15905	Round Junction Box Cover and Gasket	1/Pkg.	12/Pkgs.	2

## SPIDERBOX™ NON-METALLIC JUNCTION BOXES

- UL Listed. File Number: E182992.
- Suitable for use in wet or damp locations.
- “Corrosion resistant.”
- Easy to install using the eight (8) mounting brackets that are in-line with knockouts.
- Eliminates a 2 x 4 stub-in.
- High impact compression molded phenolic plastic rated to 150°C.



CATALOG No.	UPC No.	DESCRIPTION	STANDARD PACKAGE	MASTER CARTON	SHIPPING WEIGHT (LBS.)
15246	15246	12 Cubic Inch SPIDERBOX Junction Box: Includes 1/2" Knockouts	1/Carton	12/Carton	6
15247	15247	12 Cubic Inch SPIDERBOX Junction Box: Includes 3/4" Knockouts	1/Carton	12/Carton	6
15905	15905	Round Junction Box Cover and Gasket	1/Pkg.	12/Pkgs.	2

**Engineered Products Company • 5401 Smetana Drive • Minnetonka, MN 55343**  
**Phone: 952.767.8780 / 800.336.1976 • Fax: 952.767.8786 / 800.336.2801**