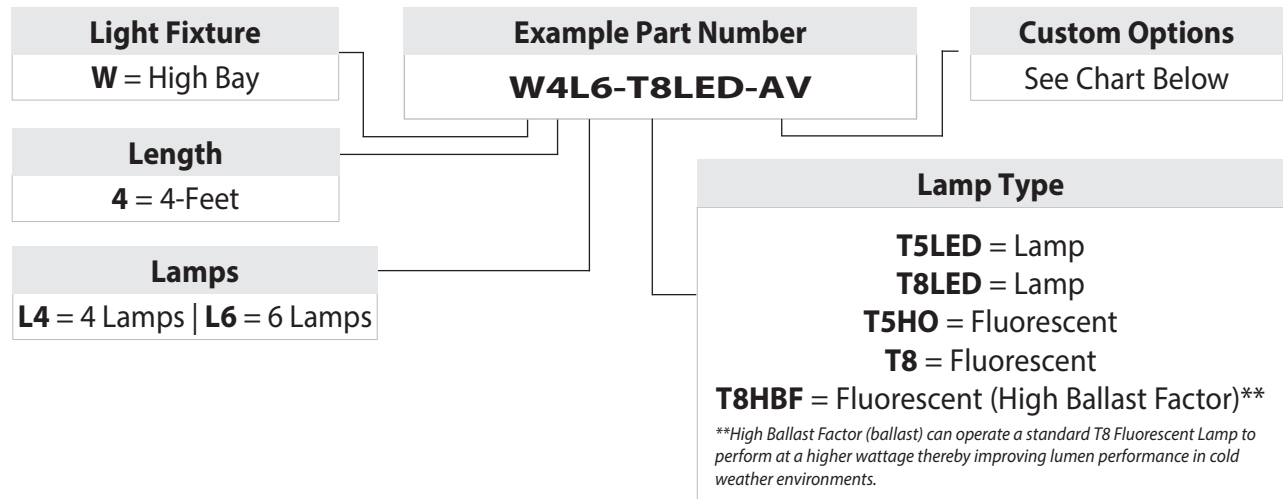


High Bay Linear Vapor Tight Light Fixture Part Number Configurator (Does Not Include Lamps)



Light Fixture Options	
Option	Notes
A. 6-Foot Power Cord (PSS6)	Straight Plug, 13 AMP
A1. 6-Foot Twist Lock Power Cord	L5-15P, 120V
A2. 6-Foot Twist Lock Power Cord	L7-15P, 277V
E. Emergency Battery Back-up Ballast	For T5 or T8 Fluorescent Light Fixtures only.
L. Luminaire Disconnect	Luminaire Disconnect standard on all High Bay Linear Vapor Tight Light Fixtures.
Occupancy Sensors R1. Passive infrared – Dry Locations R2. Passive infrared – Dry/Cold Locations R3. Passive infrared – Wet Locations	<ul style="list-style-type: none"> High/Medium Bay Passive Infrared (PIR) Occupancy Sensors: Recommended for ceiling heights 15-feet or higher. PIR sensors function as an automatic lighting control in high and medium bay applications.
V. V-Hooks	Used with chain or cable mounting. Two (2) per Package.
Z. Bulk Packaging	25 or 50 per skid (eliminates individual carton packaging on the job site).