

Small Space LED Luminaire

Product Data Sheet

Our Motion Sensing Small Space LED Luminaires provide unparalleled performance, improved efficacy, more usable lumens per watt, and are a reliable and sustainable LED lighting solution for small areas.

These luminaires include an Occupancy Mode option which will automatically switch on when it detects motion up to 20-feet away.

Benefits

- ETL Listed to UL 1598 Standards.
- Meets the requirements of the 2023 National Electrical Code: Articles 410.16(A)(B)(1)(3), (D)(1)(3), 410.52, and 410.80(A)(B).
- For New or Retrofit applications.
- Closet rated; suitable for installation applications in small spaces or closets.
- Energy efficient and optimized light output.
- Significant energy savings.
- Cost-effective, eliminates batteries, and saves money.
- Suitable for indoor applications only.
- Prescriptive rebates may be available from electric utilities or co-ops.
- Complies with general rebate requirements for lighting upgrades.
- Five (5) year warranty.

Features

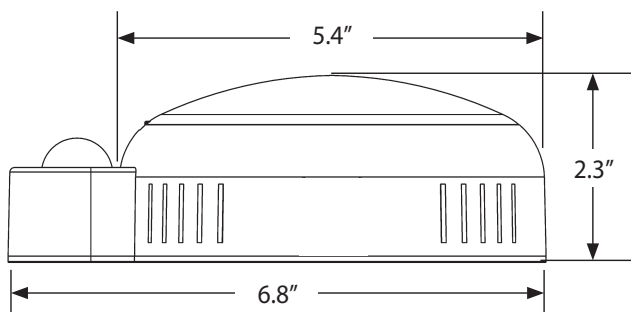
- Designed for ceiling and wall mount applications.
- When used with the motion sensor, the luminaire automatically lights when occupancy is detected; turns off after a three (3) minute vacancy.
- Operates on 120V line voltage. No separate line voltage is needed for a wall switch.
- Corrosion resistant housing.
- Small form factor.



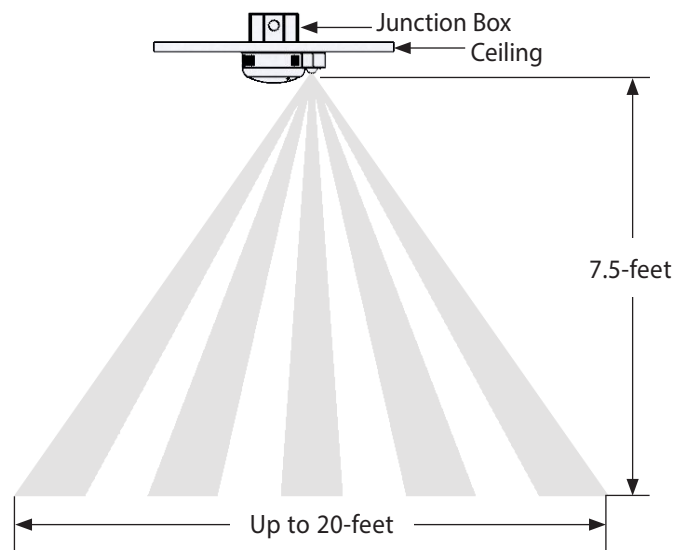
Small Space LED Luminaire
(P/N: 16550)



Dimensional References



Motion Sensor Range



SMALL SPACE LED LUMINAIRE: SPECIFICATIONS

- **Output Lumens:** 1,100 Lumens
- **Correlated Color Temperature (CCT):** 4000K
- **Power Factor:** 0.948
- **Operating Voltage:** 120-Volts
- **Power Consumption:** 13.4-Watts
- **Amperes:** .118
- **Color Rendering Index (CRI):** 83
- **Efficacy:** 82 lm/W
- **Locations:** Dry Environments Only
- **Applications:** Ceiling or Wall Mount
- **Operating Temperature:** 32°F (0°C) to 104°F (40°C)
- **Diffuser:** Snap-On, Frosted Acrylic
- **Motion Sensing Range:** 20-Feet
- **Dimmable:** No
- **Warranty:** 5 Years
- **Construction:** Plastic
- **Power Conductors:** 3-Wire (Black, White, Green)
- **Sensor Type:** Passive Infrared Sensor (PIR)
- **Switch:** No Switch
- **Certifications:** ETL Listed to UL 1598 Standards, Energy Star Certified

SMALL SPACE LED LUMINAIRE: PART NUMBER

Catalog Number	UPC Number	Description	Order Unit	Unit Qty	Unit Pkg	Units/ Case	TL Case Qty	Min Order Qty	MM Req	Ship Wt (Lbs)
16550	16550	Small Space LED Luminaire	EA	1	BX	12	12	1	No	2

Distributed By:

UNITS OF MEASURE KEY

Order Unit: The Unit to be ordered; **Order Qty:** Number of pieces in each Unit; **Unit Pkg:** Packaging types - BG (Bag), BX (Box), BRL (Barrel); **Units/ Case:** Unit packages contained in the Case; **TL Case Qty:** The total number of items in each Master Case; **Min Order Qty:** The smallest Unit that can be ordered; **MM Req:** Must order multiples of the Unit in the stated quantities; **Ship Wt (Lbs):** Total weight of the units per Carton

(02/23 AJ)

©2020 Engineered Products Company. All Rights Reserved.

