

TIGER™ Temporary LED Luminaire

Product Data Sheet

Engineered Products Company's (EPCO) TIGER Temporary LED Luminaire is a low cost, energy efficient lighting solution that is highly functional for use in high and low bay lighting applications and a recommended alternative to metal halide light fixtures. This luminaire provides 360 degrees of brilliant white illumination and requires no maintenance. This translates to a productive work environment during building construction or major renovation projects. Energy consumption is less than half of the total energy costs when compared to old metal halide lamps.

Benefits

- No assembly required! Ready to use out of the box.
- Compact size; impact and shock resistant. Can be used in any "sized" space to complete work.
- Provides optimal lumen output with no light degradation.
- No maintenance expenses.
- Significant energy savings for 24 hours a day usage compared to other temporary lighting methods.
- Rated life is 50,000 hours, minimum.
- Meets the 2023 National Electrical Code: Articles 410.62 (B)(C) and 410.64 (C).
- 5-Year Warranty. For warranty information visit www.engproducts.com.

Features

- Omni-directional lumen output; directs 100% of the light outward and downward.
- Highest lumen output to weight ratio on the market.
- Ergonomic comfort handle facilitates transportation on the job site.
- "Snap-Lock" Hang Hook expedites installation to rebar, steel pipe or copper tubing.
- Integral security Lock-Hold™ in the comfort handle accommodates a 5/16" padlock shackle; provides theft protection for your LED luminaire.
- NEMA 5-15 Receptacle allows luminaires to be linked together.
- Cord Length/Type: 8-Foot (2.4 m); 18 AWG SJTW Round Cord with NEMA 5-15 Plug.
- Heavy-duty welded Lamp Guard with white powder-coat finish.

OSHA Compliance

- Meets OSHA Compliance Standard 1926.56; Safety and Health Regulations for Temporary Lighting on Construction sites.
- Example: A 100-foot x 100-foot x 30-foot space with 80/50/20% reflectance values, the required spacing to meet OSHA lighting requirements:
 - » TIGER 150-Watt Temporary LED Luminaires OSHA compliance: 35-foot minimum spacing for 5-foot-candles compliance.
 - » TIGER 100-Watt Temporary LED Luminaires OSHA compliance: 30-foot minimum spacing for 5-foot-candles compliance.
 - » TIGER 60-Watt Temporary LED Luminaires OSHA compliance: 25-foot minimum spacing for 5-foot-candles compliance.



150-Watt
(P/N: 15737)



100-Watt
(P/N: 15735)

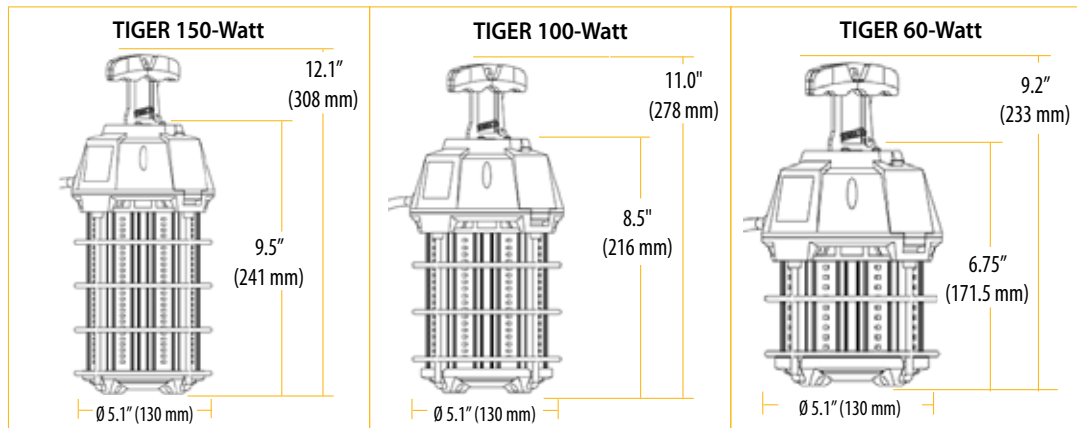


60-Watt
(P/N: 15736)

TIGER Temporary LED Luminaire Specifications

	P/N: 15735	P/N: 15736	P/N: 15737
Lumen Output	12,500	7,200	18,750
Color Temperature	5000K	5000K	5000K
Voltage	120 VAC @ 60/50 Hz	120 VAC @ 60/50 Hz	120 VAC @ 60/50 Hz
Wattage	100-Watts	60-Watts	150-Watts
Color Rendering Index (CRI)	>80	>80	>80
Efficacy	125 lm/W	120 lm/W	125 lm/W
Applications	Dry or Damp Environments	Dry or Damp Environments	Dry or Damp Environments
Operating Temperature	-4°F (-20°C) to 104°F (40°C)	-4°F (-20°C) to 104°F (40°C)	-4°F (-20°C) to 104°F (40°C)
Warranty	50,000 Hours / 5-years at L ₇₀	50,000 Hours / 5-years at L ₇₀	50,000 Hours / 5-years at L ₇₀
Power Cord Type	8-foot 18 AWG SJTW Round Cord with NEMA 5-15 Plug and Receptacle		
Linkable Maximum	6 Maximum	10 Maximum	4 Maximum
Certifications	<ul style="list-style-type: none"> ■ UL Listed — U.S. and Canada ■ RoHS Compliant ■ Meets OSHA Compliance Standard 1926.56; Safety and Health Regulations for Temporary Lighting on Construction sites. ■ Meets the 2023 National Electrical Code: Articles 410.62 (B)(C) and 410.64 (C). 		

TIGER LED: DIMENSIONAL REFERENCES



TIGER LED: PART NUMBERS

Catalog Number	UPC Number	Description	Order Unit	Unit Qty	Unit Pkg	Units/Case	TL Case Qty	Min Order Qty	MM Req	Ship Wt (Lbs)
15735	15735	100-Watt, with Lamp Guard and 8-FT 18 AWG SJTW Round Cord	EA	1	BX	4	4	1	No	5
15736	15736	60-Watt, with Lamp Guard and 8-FT 18 AWG SJTW Round Cord	EA	1	BX	4	4	1	No	4
15737	15737	150-Watt, with Lamp Guard and 8-FT 18 AWG SJTW Round Cord	EA	1	BX	4	4	1	No	6

UNITS OF MEASURE KEY

Order Unit: The Unit to be ordered; Order Qty: Number of pieces in each Unit; Unit Pkg: Packaging types - BG (Bag), BX (Box), BRL (Barrel); Units/Case: Unit packages contained in the Case; TL Case Qty: The total number of items in each Master Case; Min Order Qty: The smallest Unit that can be ordered; MM Req: Must order multiples of the Unit in the stated quantities; Ship Wt (Lbs): Total weight of the units per Carton

E02-040-002 C1 (01/23-AJ)
©2023 Engineered Products Company. All Rights Reserved.
TIGER is a trademark of Engineered Products Company.

